

**Volume – I**

**Tender Notification for**

**Supply of 11 kV VCB Switchgear Panels for Various  
Grids in BRPL**

**CMC/BR/22-23/RB/PR/RJ/1024**

**Due Date for Submission of Bids: 31.05.2022**

**BSES RAJDHANI POWER LTD (BRPL)  
BSES Bhawan, Nehru Place, New Delhi-110019  
Corporate Identification Number: U74899DL2001PLC111527  
Telephone Number: +91 11 3009 9999  
Fax Number: +91 11 2641 9833  
Website: [www.bsedelhi.com](http://www.bsedelhi.com)**

**SECTION – I**  
**REQUEST FOR QUOTATION**

**Tender Notification: CMC/BR/22-23/RB/PR/RJ/1024**

**Supply of 11 kV VCB Switchgear Panels for Various  
Grids in BRPL**

INDEX

	Page No.
SECTION – I: REQUEST FOR QUOTATION	04
SECTION – II: INSTRUCTIONS TO BIDDER	09
SECTION – III: GENERAL CONDITIONS OF CONTRACT	17-25
1.0 GENERAL INSTRUCTIONS	17
2.0 DEFINITION OF TERMS	18
3.0 CONTRACT DOCUMENTS & PRIORITY	18
4.0 SCOPE OF SUPPLY – GENERAL	19
5.0 QUALITY ASSURANCE AND INSPECTION	19
6.0 PACKING, PACKING LIST & MARKING	20
7.0 PRICE BASIS FOR SUPPLY OF MATERIALS	20
8.0 VARIATION IN TAXES, DUTIES & LEVIES	20
9.0 TAXES & DUTIES ON RAW MATERIALS & BOUGHT OUT COMPONENTS	21
10.0 TERMS OF PAYMENT AND BILLING	21
11.0 PRICE VALIDITY	20
12.0 PERFORMANCE GUARANTEE	21
13.0 FORFEITURE	21
14.0 RELEASE	22
15.0 DEFECTS LIABILITY PERIOD	22
16.0 RETURN, REPLACEMENT OR SUBSTITUTION	22
17.0 EFFECTIVE DATE OF COMMENCEMENT OF CONTRACT	22
18.0 TIME – THE ESSENCE OF CONTRACT	22
19.0 THE LAWS AND JURISDICTION OF CONTRACT	22
20.0 EVENTS OF DEFAULT	22
21.0 CONSEQUENCES OF DEFAULT	23
22.0 PENALTY FOR DELAY	23
23.0 FORCE MAJEURE	23
24.0 TRANSFER AND SUB-LETTING	24
25.0 RECOVERIES	25
26.0 WAIVER	25
27.0 INDEMNIFICATION	25
SECTION – IV: QUANTITY AND DELIVERY REQUIREMENT	26
SECTION – V: TECHNICAL SPECIFICATION OF 11 kV Switchgear Panels	27

**SECTION – I: REQUEST FOR QUOTATION****1.0 Event Information**

BRPL invites sealed tenders against Supply of 11 kV VCB Switchgear Panels for Various grids in BRPL from the manufacturers. The bidder must qualify the technical requirements as specified in Clause 2.0 stated below. The sealed envelopes shall be duly superscribed as — **“BID FOR SUPPLY 11 KV VCB SWITCHGEAR PANELS FOR VARIOUS GRIDS IN BRPL, TENDER NOTICE CMC/BR/22-23/RB/PR/RJ/1024 DUE FOR SUBMISSION ON DT. 31.05.2022”**.

Sl. No.	Item Description	Specification	Requirement	Estimated Cost
			Total Qty.	
<b>BRPL, DELHI</b>				
1	Supply of 33 kV VCB Switchgear Panels for Various grids in BRPL	SECTION V	144 Nos	10.00 Cr

**Note: Quantity may vary to any extent of +/- 30% of above mentioned total quantity.**

The schedule of specifications with detail terms & conditions can be obtained from address given below against demand draft/ Pay Order of **Rs.1180/- with GST-**, drawn in favour of **BSES RAJDHANI POWER LTD**, payable at New Delhi. The sale of tender documents will be issued from **11.05.2022** onwards on all working days upto **31.05.2022**. The tender documents can also be downloaded from the website **“www.bsesdelhi.com”**.

In case tender papers are downloaded from the above website, then the bidder has to enclose a demand draft covering the cost of bid documents as stated above in a separate envelope with suitable superscription —**“Cost of Bid Documents: Tender Notice Ref: CMC/BR/22-23/RB/PR/RJ/1024”**. This envelope should accompany the Bid Documents.

Offers will be received upto **1530 Hrs. on dt. 31.05.2022** as indicated earlier and will be opened at the address given below dt. **31.05.2022 at 1600 Hrs.** in the presence of authorized representatives of the bidders. The schedule of specifications with detail terms & conditions are enclosed. It is the sole responsibility of the bidder to ensure that the bid documents reach this office on or before the due date.

**HEAD OF THE DEPARTMENT, 1st FLOOR, ‘C’ BLOCK,  
CONTRACTS & MATERIALS DEPARTMENT, BSES RAJDHANI POWER LTD,  
BSES BHAWAN,  
NEHRU PLACE, NEW DELHI-110019.**

BRPL reserves the right to accept/ reject any or all Tenders without assigning any reason thereof and alter the quantity of materials mentioned in the Tender documents at the time of placing purchase orders. Tender will be summarily rejected if:

- i) Earnest Money Deposit (EMD) @ 1% (One percent) of the Tender value i.e. **Rs. 10,00,000/-** is not deposited in shape of Bank Draft in favour of BSES RAJDHANI POWER LTD, payable at New Delhi or Bank Guarantee executed on favour of BSES RAJDHANI POWER LTD.
- ii) The offer does not contain “FOR, NEW DELHI price indicating break-up towards all taxes & duties”.
- iii) Complete Technical details are not enclosed.
- iv) Tender is received after due time due to any reason.

BRPL reserves the right to reject any or all bids or cancel/ withdraw the invitation for bids without assigning any reason whatsoever and in such case no bidder/ intending bidder shall have any claim arising out of such action time of placing purchase orders.

**Qualification Criteria:-**

**QUALIFICATION CRITERIA FOR PANELS-**

The prospective bidder must qualify all of the following requirements to participate in the bidding process. Bidder who meet following requirements will be considered as successful bidder and management has the right to disqualify those bidders who do not meet these requirements.

1. The bidder should have own manufacturing facility in India for tender rating Switchgear Panels since last 3 years.- manufacturing and factory incorporation certificate / Undertaking

The details of manufacturing units, locations and works from where supply against this tender shall be proposed to be furnished.

2. The bidder should have servicing , repairing, testing & refurbishment facility in INDIA with necessary spares and testing equipments for providing prompt after sales service for switchgear panels.- Relevant Details/certificates/Undertaking (Details of the set-up available shall be brought out in the offer the bidder shall also submit undertaking along with the bid confirming the infrastructure details submitted).
3. The bidder should have manufacturing capacity of minimum 10-15 nos. switchgear panels per month.- Installed Capacity Certificate

4. The Bidder should have supplied at least two (02) of AIS switchgear Board of similar rating in last 5 years from the date of bid opening to any utilities/SEB's/PSU's/reputed company (wherein the end user shall be Utility/SEB's/PSU's)-
  - i. Summary list of executed Purchase orders
  - ii. Purchase order copies
  - iii. Material delivery clearance certificate copy or Delivery completion certificates or Invoice Copies
5. Performance certificate for minimum 2 year satisfactory performance for similar rating supplied in last 5 years from at least two utilities/ SEB/ PSUs / reputed firm wherein the end user shall be Utility/SEB's/PSU's

In case of bidder has a previous association with BRPL/BYPL for similar product and service, the performance feedback for that bidder by BRPL/BYPL shall only be considered irrespective of performance certificate issued by any third organization.- Performance certificate.

6. The Bidder must possess valid ISO 9001:2015 certification- Valid ISO 9001:2015 certificate
7. Bidder should have Average Annual Sales Turnover of Rs 500 Crores or more in last three (3) Financial Years (i.e., FY 2018-19, 2019-20 & 2020-21).- Balance Sheet and Duly certified CA certificate to be submitted.
8. The Bidder shall submit an undertaking that “No Litigation” is pending with the BRPL or its Group/Associates Companies.- Undertaking to be submit.
9. An undertaking (self-certificate) that the bidder has not been blacklisted/debarred by any central/state government institution/Electricity utilities.- Undertaking to be submit.
10. The bidder must have valid PAN No., GST Registration Number, in addition to other statutory compliances. The bidder must submit the copy of registrations and submit an undertaking that the bidder shall comply all the statutory compliances as per the laws/rules etc. before the start of the supply/work.- Relevant Statutory Documents Copy/Undertaking

### **Bidding and Award Process**

Bidders are requested to submit their questions regarding the RFQ or the bidding process after review of this RFQ. BRPL response to the questions raised by various bidders will be distributed to all participating bidders through website.

#### **a. Time schedule of the bidding process**

The bidders on this RFQ package should complete the following within the dates specified as under:

<b>S.No.</b>	<b>Steps</b>	<b>Activity description</b>	<b>Due date</b>
1	Technical Queries	All Queries related to RFQ	On or before 20.05.2022 1500 Hrs.

2	Technical Offer	Documentary evidence in support of qualifying criteria. Technical Literature/ GTP/ Drawings/ Type test report, if any, etc., Testing facilities, any other relevant document, acceptance to commercial terms & conditions viz. delivery Schedule/ Period, Payment terms, PBG etc. Quality assurance plan, Deviation from the specification, list of plant & machinery and testing equipments Unpriced items.	31.05.2022, 1530 HRS
3	Commercial Offer	Prices for RMU and Break up regarding basic price and taxes. Delivery commitment	31.05.2022, 1530 HRS
4	Opening of technical bid	As per RFQ	31.05.2022, 1600 HRS

This is a two part bid process. Bidders are to submit the bids (a) Technical Bid (b) Price Bid. Both these parts should be furnished in separate sealed covers superscribing with specification no., validity etc, with particulars as **Part-I “Technical Particulars & Commercial Terms & Conditions”** and **Part-II “Financial bid”** and these sealed envelopes should again be placed in another sealed cover which shall be submitted before the due date & time specified.

**Bidders are requested to submit the bid in one original plus one copy in duplicate.**

- **The Part-I (Technical Bid) - Technical Bid should not contain any cost information whatsoever. In case of Bids where the qualification requirements, technical suitability and other requirements are found to be inadequate, Part-II “Financial Bid” will be returned unopened.**
- **The Part-II (Financial Bid) - Qualified bidders will be intimated after technical evaluation of all the bids is completed. The date and time of same shall be intimated in due course to the qualified bidders. Notwithstanding anything stated above, the Purchaser reserves the right to assess bidder’s capability to perform the contract, should the circumstances warrant such assessment in the overall interest of the purchaser. In this regard the decision of the purchaser is final.**

### **Award Decision**

Purchaser intends to award the business on a lowest bid basis, so suppliers are encouraged to bid competitively. The decision to place Purchase Order / Letter of acceptance solely depends on purchaser on the cost competitiveness across multiple lots, quality, delivery and bidder’s capacity, in addition to other factors that Purchaser may deem relevant.

The purchaser reserves all the rights to award the contract to one or more bidders so as to meet the delivery requirement or nullify the award decision without any reason.

BSES reserves the right to split the tender quantity amongst techno commercially qualified bidders on account of delivery requirement in tender, quantity under procurement etc.

Splitting of tender quantity amongst more than one bidder shall be governed by below mentioned guidelines:

- If the quantity is to be split among 2 bidders, it will be done in the ratio of 70:30 on L1 price.
- If the quantity is to be split among 3 bidders, it will be done in the ratio of 60:25:15 on L1 price.
- In case quantity needs to be distributed and order splitting is required, distribution of quantity shall be maximum among three (03) bidders.

In the event of your bid being selected by purchaser (and / or its affiliates) and your subsequent DEFAULT on your bid; you will be required to pay purchaser (and / or its affiliates) an amount equal to the difference in your bid and the next lowest bid on the quantity declared in RFQ.

In case any supplier is found unsatisfactory during the delivery process, the award will be cancelled and BRPL reserves the right to award other suppliers who are found fit.

**Quantity Variation:** The purchaser reserves the rights to vary the quantity by +/- 30% of the tender quantity.

**Repeat Order:** BRPL reserves the right to place repeat order at the same rates & terms and conditions as per this tender against additional requirement subject to mutual agreement between BRPL & supplier.

**Market Integrity:**

We have a fair and competitive marketplace. The rules for bidders are outlined in the Terms & Conditions. Bidders must agree to these rules prior to participating. In addition to other remedies available, we reserves the right to exclude a bidder from participating in future markets due to the bidder's violation of any of the rules or obligations contained in the Terms & Condition. Bidders who violate the marketplace rules or engage in behavior that disrupts the fair execution of the marketplace restricts a bidder to length of time, depending upon the seriousness of the violation. Examples of violations include, but are not limited to:

- Failure to honor prices submitted to the marketplace.
- Breach of the terms of the published in Request For Quotation.

**6.0 Supplier Confidentiality**

All information contained in this RFQ is confidential and may not be disclosed, published or advertised in any manner without written authorization from BRPL. This includes all bidding information submitted.

All RFQ documents remain the property of BRPL and all suppliers are required to return these documents to BRPL upon request.

Suppliers who do not honor these confidentiality provisions will be excluded from participating in future bidding events.

**7.0 Contact Information**

All communication as regards this RFQ shall be made (i) in English, (ii) in writing and (iii) sent by mail, facsimile to:



	<b>Technical</b>	<b>Commercial</b>
Contact Name	Mr. Abhinav Srivastava Copy to Mr. Sheshadri Krishnapura	Ms Rachna Jain Copy to Mr. Pankaj Goyal
Address	BSES RAJDHANI POWER LTD, 2nd Floor, B Block, Nehru Place, New Delhi – 110019	C&M Deptt. 1st floor, D- Block, BSES Rajdhani Power Limited, BSES Bhawan, Nehru Place, New Delhi -110019
Email-ID	<a href="mailto:abhinav.r.srivastava@relianceada.com">abhinav.r.srivastava@relianceada.com</a> <a href="mailto:sheshadri.krishnapura@relianceada.com">sheshadri.krishnapura@relianceada.com</a>	<a href="mailto:rachna.jain@relianceada.com">rachna.jain@relianceada.com</a> <a href="mailto:pankaj.goyal@relianceada.com">pankaj.goyal@relianceada.com</a>

**SECTION – II**

**INSTRUCTION TO BIDDERS (ITB)**

**Supply of 11 kV VCB Switchgear Panels for Various  
Grids in BRPL**

**CMC/BR/22-23/RB/PR/RJ/1024**

**1.0** BSES Rajdhani power Ltd, hereinafter referred to as the Purchaser are desirous of implementing the various Systems Improvement/ Repair & Maintenance works at their respective licensed area in Delhi The Purchaser has now floated this tender for procurement of 11 kV VCB Switchgear Panels as notified earlier in this bid document.

## **2.0 SCOPE OF WORK**

The scope shall include Design, Manufacture, Testing at works conforming to the Technical Specifications enclosed along with Packing, Forwarding, Freight and Unloading and proper stacking at Purchaser's stores.

## **3.0 DISCLAIMER**

This Document includes statements, which reflect various assumptions, which may or may not be correct. Each Bidder/ Bidding Consortium should conduct its own estimation and analysis and should check the accuracy, reliability and completeness of the information in this Document and obtain independent advice from appropriate sources in their own interest.

Neither Purchaser nor its employees will have any liability whatsoever to any Bidder or any other person under the law or contract, the principles of restitution or unjust enrichment or otherwise for any loss, expense or damage whatsoever which may arise from or be incurred or suffered in connection with anything contained in this Document, any matter deemed to form part of this Document, provision of Services and any other information supplied by or on behalf of Purchaser or its employees, or otherwise a rising in any way from the selection process for the Supply.

Though adequate care has been taken while issuing the Bid document, the Bidder should satisfy itself that Documents are complete in all respects. Intimation of any discrepancy shall be given to this office immediately.

This Document and the information contained herein are Strictly Confidential and are for the use of only the person(s) to whom it is issued. It may not be copied or distributed by the recipient to third parties (other than in confidence to the recipient's professional advisors).

## **4.0 COST OF BIDDING**

The Bidder shall bear all cost associated with the preparation and submission of its Bid and Purchaser will in no case be responsible or liable for those costs. Further the purchaser has the right to get sample of Panel tested by any reputed independent test lab (approved by BRPL) at the cost of bidder.

## **B. BIDDING DOCUMENT**

### **5.0 BIDDING DOCUMENTS**

The Scope of Work, Bidding Procedures and Contract Terms are described in the Bidding Documents. In addition to the covering letter accompanying Bidding Documents, the Bidding Documents include:

#### **Volume –I**

- a) Request for Quotation (RFQ) - Section – I
- b) Instructions to Bidders (ITB) - Section – II
- c) General Conditions of Contract - Section - III
- d) Quantity and delivery requirement - Section –IV
- e) Technical Specifications (TS) - Section –V

#### **Volume – II**

- a) Bid Form - Annexure – I
- b) Bid Format - Annexure – II
- c) Price Schedule - Annexure – III
- d) Commercial Terms & Conditions - Annexure - IV
- e) No Deviation Sheet - Annexure - V
- f) Qualification Criterion - Annexure - VI

The Bidder is expected to examine the Bidding Documents, including all Instructions, Forms, Terms and specifications. Failure to furnish all information required by the Bidding documents or submission of a Bid not substantially responsive to the Bidding Documents in every respect will may result in the rejection of the Bid.

### **6.0 AMENDMENT OF BIDDING DOCUMENTS**

At any time prior to the deadline for submission of Bids, the Purchaser may for any reasons, whether at its own initiative or in response to a clarification requested by a prospective Bidder, modify the Bidding Documents by Amendment.

The Amendment shall be part of the Bidding Documents, pursuant to Clause 5.01, and it will be notified in writing by Fax/e-mail to all the Bidders who have received the Bidding Documents and confirmed their participation to Bid, and will be binding on them.

In order to afford prospective Bidders reasonable time in which to take the Amendment into account in preparing their Bids, the Purchaser may, at its discretion, extend the deadline for the submission of Bids.

## **C PREPARATION OF BIDS**

### **7.0 LANGUAGE OF BID**

The Bid prepared by the Bidder, and all correspondence and documents relating to the Bid exchanged by the Bidder and the Purchaser, shall be written in the English Language. Any printed literature furnished by the Bidder may be written in another Language, provided that this literature is accompanied by an English translation, in which case, for purposes of interpretation of the Bid, the English translation shall govern.

### **8.0 DOCUMENTS COMPRISING THE BID**

The Bid prepared and submitted by the Bidder shall comprise the following components:

- a) Bid Form ,Price & other Schedules (STRICTLY AS PER FORMAT) and Technical Data Sheets completed in accordance with Clause 9.0, 10.0, 11.0 and Technical Specification;
- b) All the Bids must be accompanied with the required EMD as mentioned in the Section-I against each tender.
- c) Power of Attorney or Authorization letter indicating that the person(s) signing the Bid have the authority to sign the Bid and thus that the Bid is binding upon the Bidder during the full period of its validity, in accordance with clause 12.0.

### **9.0 BID FORM**

The Bidder shall complete an “Original” and another one “Copy” of the Bid Form and the appropriate Price & Other Schedules and Technical Data Sheets.

#### **EMD**

Pursuant to Clause 8.0 (b) above, the bidder shall furnish, as part of its bid, a EMD amounting to 1% of the total bid value (FOR Destination) i.e. Rs. **10,00,000/-**. The EMD is required to protect the Purchaser against the risk of Bidder’s conduct which would warrant the security’s forfeiture.

The EMD shall be denominated in the currency of the bid, and shall be in the following form:

- a) A bank guarantee issued by any scheduled bank strictly as per the form at enclosed and shall be valid for a period of thirty (30) days beyond the validity of the bid.
- b) Bank Draft in favour of BSES RAJDHANI POWER LTD, payable at New Delhi.

Unsuccessful bidders’ EMD will be discharged or returned as promptly as possible as but not later than thirty (30) days after the expiration of the period of bid validity.

The successful bidder’s EMD will be discharged upon furnishing the performance security. The EMD may be forfeited:

- a) If the Bidder:

- i) withdraws its bid during the period of bid validity specified by the Bidder in the Bid Form ; or
- b) in the case of a successful Bidder, if the Bidder fails:
  - i) to sign the Contract, or
  - ii) to furnish the required performance security.

## **10.0 BID PRICES**

Bidders shall quote for the entire Scope of Supply with a break-up of prices for individual items. The total Bid Price shall also cover all the Supplier's obligations mentioned in or reasonably to be inferred from the Bidding Documents in respect of Design, Supply, Transportation to site, all in accordance with the requirement of Bidding Documents The Bidder shall complete the appropriate Price Schedules included herein , stating the Unit Price for each item & total Price.

The prices offered shall be inclusive of all costs as well as Duties, Taxes and Levies paid or payable during execution of the supply work, breakup of price constituents, should be there. Prices quoted by the Bidder shall be—Firm “and not subject to any price adjustment during the performance of the Contract. A Bid submitted with an adjustable price quotation will be treated as non -responsive and rejected.

## **11.0 BID CURRENCIES**

Prices shall be quoted in **Indian Rupees (INR) only**.

## **12.0 PERIOD OF VALIDITY OF BIDS**

Bids shall remain valid for **120 days** post bid date.

Notwithstanding Clause12.01 above, the Purchaser may solicit the Bidder’s consent to an extension of the Period of Bid Validity. The request and the responses thereto shall be made in writing by Fax/e-mail.

## **13.0 ALTERNATIVE BIDS**

Bidders shall submit Bids, which comply with the Bidding Documents. Alternative Bids will not be considered. The attention of Bidders is drawn to the provisions of Clause 22.03 &22.04 regarding the rejection of Bids, which are not substantially responsive to the requirements of the Bidding Documents.

## **14.0 FORMAT AND SIGNING OF BID**

The original Bid Form and accompanying documents (as specified in Clause9.0),clearly marked "Original Bid", plus one copy must be received by the Purchaser at the date, time and place specified pursuant to Clauses15.0 and16.0. In the event of any discrepancy between the original and the copies, the original shall govern.

The original and copy of the Bid shall be typed or written in indelible ink and shall be signed by the Bidder or a person or persons duly authorized to sign on behalf of the Bidder. Such authorization shall be indicated by written Power-of-Attorney accompanying the Bid.

The Bid shall contain no interlineations, erasures or overwriting except as necessary to correct errors made by the Bidder, in which case such corrections shall be initialed by the person or persons signing the Bid.

## **D SUBMISSION OF BIDS**

### **15.0 SEALING AND MARKING OF BIDS**

Bid submission: One original & one Copy (hard copies) of all the Bid Documents shall be sealed and submitted to the Purchaser before the closing time for submission of the bid.

The Technical Documents and the EMD shall be enclosed in a sealed envelope and the said envelope shall be superscribed with —**Technical & EMD**. The Financial bid shall be inside another sealed envelope with superscription — **Financial Bid**. Both these envelopes shall be sealed inside another big envelope. All the envelopes should bear the Name and Address of the Bidder and marking for the Original and Copy. The envelopes should be superscribed with —“**Tender Notice No, Due date of submission, Tender opening date**”.

The Bidder has the option of sending the Bids in person. Bids submitted by Telex/ Telegram/ Fax will not be accepted. No request from any Bidder to the Purchaser to collect the proposals from Airlines/Cargo Agents etc shall be entertained by the Purchaser.

### **16.0 DEADLINE FOR SUBMISSION OF BIDS**

The original Bid, together with the required copies, must be received by the Purchaser at the address specified not later than **1530 HRS on 24.05.2022**.

The Purchaser may, at its discretion, extend the deadline for the submission of Bids by amending the Bidding Documents in accordance with Clause 9.0, in which case all rights and obligations of the Purchaser and Bidders previously subject to the deadline will thereafter be subject to the deadline as extended.

### **17.0 ONE BID PER BIDDER**

Each Bidder shall submit only one Bid either by itself, or as a partner in a Joint Venture. A Bidder who submits or participates in more than one Bid will cause all those Bids to be rejected.

### **18.0 LATE BIDS**

Any Bid received by the Purchaser after the deadline for submission of Bids prescribed by the Purchaser, pursuant to Clause 16.0, will be declared "Late" and rejected and returned unopened to the Bidder.

## **19.0 MODIFICATIONS AND WITHDRAWAL OF BIDS**

19.01 The Bidder is not allowed to modify or withdraw its Bid after the Bid's submission.

## **E. EVALUATION OF BID**

### **20.0 PROCESS TO BE CONFIDENTIAL**

Information relating to the examination, clarification, evaluation and comparison of Bids and recommendations for the award of a contract shall not be disclosed to Bidders or any other persons not officially concerned with such process. Any effort by a Bidder to influence the Purchaser's processing of Bids or award decisions may result in the rejection of the Bidder's Bid.

### **21.0 CLARIFICATION OF BIDS**

To assist in the examination, evaluation and comparison of Bids, the Purchaser may, at its discretion, ask the bidder for a clarification of its Bid. All responses to requests for clarification shall be in writing and no change in the price or substance of the Bid shall be sought, offered or permitted.

### **22.0 PRELIMINARY EXAMINATION OF BIDS / RESPONSIVENESS**

Purchaser will examine the Bids to determine whether they are complete, whether any computational errors have been made, whether required sureties have been furnished, whether the documents have been properly signed, and whether the Bids are generally in order.

Arithmetical errors will be rectified on the following basis. If there is a discrepancy between the unit price and the total price per item that is obtained by multiplying the unit price and quantity, the unit price shall prevail and the total price per item will be corrected. If there is a discrepancy between the Total Amount and the sum of the total price per item, the sum of the total price per item shall prevail and the Total Amount will be corrected.

Prior to the detailed evaluation, Purchaser will determine the substantial responsiveness of each Bid to the Bidding Documents including production capability and acceptable quality of the Goods offered. A substantially responsive Bid is one, which conforms to all the terms and conditions of the Bidding Documents without material deviation.

Bid determined as not substantially responsive will be rejected by the Purchaser and/or the Purchaser and may not subsequently be made responsive by the Bidder by correction of the non-conformity.



### **23.0 EVALUATION AND COMPARISON OF BIDS**

The evaluation of Bids shall be done based on the delivered cost competitiveness basis.

The evaluation of the Bids shall be a stage-wise procedure. The following stages are identified for evaluation purposes: In the first stage, the Bids would be subjected to a responsiveness check. The Technical Proposals and the Conditional ties of the Bidders would be evaluated. Subsequently, the Financial Proposals along with supplementary Financial Proposals, if any, of Bidders with Techno-commercially Acceptable Bids shall be considered for final evaluation.

The Purchaser's evaluation of a Bid will take into account, in addition to the Bid price, the following factors, in the manner and to the extent indicated in this Clause:

- (a) Supply Schedule
- (b) Deviations from Bidding Documents

Bidders shall base their Bid price on the terms and conditions specified in the Bidding Documents. The cost of all quantifiable deviations and omissions from the specification, terms and conditions specified in Bidding Documents shall be evaluated. The Purchaser will make its own assessment of the cost of any deviation for the purpose of ensuring fair comparison of Bids.

Any adjustment in price, which results from the above procedure, shall be added for the purposes of comparative evaluation only to arrive at an "Evaluated Bid Price". Bid Prices quoted by Bidders shall remain unaltered.

### **F. AWARD OF CONTRACT**

#### **24.0 CONTACTING THE PURCHASER**

From the time of Bid submission to the time of contract award, if any Bidder wishes to contact the Purchaser on any matter related to the Bid, it should do so in writing.

Any effort by a Bidder to influence the Purchaser and/or in the Purchaser's decisions in respect of Bid evaluation, Bid comparison or Contract Award, will result in the rejection of the Bidder's Bid.

#### **25.0 THE PURCHASER 'S RIGHT TO ACCEPT ANY BID AND TO REJECT ANY OR ALL BIDS**

The Purchaser reserves the right to accept or reject any Bid and to annul the Bidding process and reject all Bids at anytime prior toward of Contract, without thereby incurring any liability to the affected Bidder or Bidders or any obligation to inform the affected Bidder or Bidders of the grounds for the Purchaser's action.

## **26.0 AWARD OF CONTRACT**

The Purchaser will award the Contract to the successful Bidder whose Bid has been Determined to be the lowest-evaluated responsive Bid, provided further that the Bidder has been determined to be qualified to satisfactorily perform the Contract. Purchaser reserves the right to award order other bidders in the tender, provided it is required for progress of project & provided he agrees to come to the lowest rate.

## **27.0 THE PURCHASER'S RIGHT TO VARY QUANTITIES**

The Purchaser reserves the right to vary the quantity i.e. increase or decrease the numbers/quantities without any change in terms and conditions during the execution of the Order.

## **28.0 LETTER OF INTENT/ NOTIFICATION OF AWARD**

The letter of intent/ Notification of Award shall be issued to the successful Bidder whose bids have been considered responsive, techno-commercially acceptable and evaluated to be the lowest (L1). The successful Bidder shall be required to furnish a letter of acceptance within 7 days of issue of the letter of intent /Notification of Award by Purchaser.

## **29.0 PERFORMANCE BANK GUARANTEE**

The successful Bidder shall furnish the Performance Bank Guarantee for an amount of 10% (Ten percent) of the Contract Price in accordance with the format provided. The Performance Bond shall be valid for a period of twenty four months (24) from the date of the commissioning or thirty months (30) from the date of receipt of material (last consignment) at site/stores whichever is earlier plus 3 months towards claim period. Upon submission of the performance security, the EMD shall be released.

## **30.0 CORRUPT OR FRADULENT PRACTICES**

The Purchaser requires that the Bidders observe the highest standard of ethics during the procurement and execution of the Project. In pursuance of this policy, the Purchaser:

- (a) Defines, for the purposes of this provision, the terms set forth below as follows:
  - i) "Corrupt practice" means behavior on the part of officials in the public or private sectors by which they improperly and unlawfully enrich themselves and/or those close to them ,or induce others to do so, by misusing the position in which they are placed, and it includes the offering, giving, receiving, or soliciting of anything of value to influence the action of any such official in the procurement process or in contract execution; and
  - ii) "Fraudulent practice" means a misrepresentation of facts in order to influence a procurement process or the execution of a contract to the detriment of the Purchaser, and includes collusive practice among Bidders (prior to or after Bid submission) designed to establish Bid prices at artificial non-competitive levels and to deprive the Purchaser of the benefits of free and open competition.

- (b) Will reject a proposal forward if it determines that the Bidder recommended for award has engaged in corrupt or fraudulent practices in competing for the contract in question ;
- (c) Will declare a firm ineligible, either indefinitely or for a stated period of time, to be awarded a contract if it at any time determines that the firm has engaged in corrupt or fraudulent practices in competing for, or in executing, a contract.

Furthermore, Bidders shall be aware of the provision stated in the General Conditions of Contract.

**SECTION – III**

**GENERAL CONDITIONS OF CONTRACT (GCC)**

**Supply of 11 kV VCB Switchgear Panels for Various Grids in  
BRPL**

**CMC/BR/22-23/RB/PR/RJ/1024**

## GENERAL TERMS AND CONDITIONS

### 1.0 General Instructions

All the Bids shall be prepared and submitted in accordance with these instructions.

Bidder shall bear all costs associated with the preparation and delivery of its Bid, and the Purchaser will in no case shall be responsible or liable for these costs.

The Bid should be submitted by the Bidder in whose name the bid document has been issued and under no circumstances it shall be transferred/ sold to the other party.

The Purchaser reserves the right to request for any additional information and also reserves the right to reject the proposal of any Bidder, if in the opinion of the Purchaser, the data in support of RFQ requirement is incomplete.

The Bidder is expected to examine all instructions, forms, terms & conditions and specifications in the Bid Documents. Failure to furnish all information required in the Bid Documents or submission of a Bid not substantially responsive to the Bid Documents in every respect may result in rejection of the Bid. However, the Purchaser's decision in regard to the responsiveness and rejection of bids shall be final and binding without any obligation, financial or otherwise, on the Purchaser.

### 2.0 Definition of Terms

“Purchaser” shall mean BRPL Limited, on whose behalf this bid enquiry is issued by its authorized representative / officers.

“Bidder” shall mean the firm who quotes against this bid enquiry issued by the Purchaser. “Supplier” or “Supplier” shall mean the successful Bidder and/or Bidders whose bid has been accepted by the Purchaser and on whom the “Letter of Acceptance” is placed by the Purchaser and shall include his heirs, legal representatives, successors and permitted assigns wherever the context so admits.

“Supply” shall mean the Scope of Contract as described.

“Specification” shall mean collectively all the terms and stipulations contained in those portions of this bid document known as RFQ, Commercial Terms & Condition, Instructions to Bidders, Technical Specifications and the Amendments, Revisions, Deletions or Additions, as may be made by the Purchaser from time to time.

“Letter of Acceptance” shall mean the official notice issued by the Purchaser notifying the Supplier that his proposal has been accepted and it shall include amendments thereto, if any, issued by the Purchaser. The “Letter of Acceptance” issued by the Purchaser shall be binding on the “Supplier” The date of Letter of Acceptance shall be taken as the effective date of the commencement of contract.

“Month” shall mean the calendar month and “Day” shall mean the calendar day.

“Codes and Standards” shall mean all the applicable codes and standards as indicated in the Specification.

“Offer Sheet” shall mean Bidder's firm offer submitted to BRPL in accordance with the specification.

“Contract” shall mean the “Letter of Acceptance” issued by the Purchaser.

“Contract Price” shall mean the price referred to in the “Letter of Acceptance”.

“Contract Period” shall mean the period during which the “Contract” shall be executed as agreed between the Supplier and the Purchaser in the Contract inclusive of extended contract period for reason beyond the control of the Supplier and/or Purchaser due to force majeure.

“Acceptance” shall mean and deemed to include one or more of the following as will be stipulated in the specification:

- a) The written acceptance of material by the inspector at suppliers works to ship the materials.
- b) Acceptance of material at Purchaser site stores after its receipt and due inspection/ testing and release of material acceptance voucher.
- c) Where the scope of the contract includes supply, acceptance shall mean issue of necessary equipment / material takeover receipt after installation & commissioning and final acceptance.

### **3.0 Contract Documents & Priority**

Contract Documents: The terms and conditions of the contract shall consist solely of these RFQ conditions and the offer sheet.

Priority: Should there be any discrepancy between any term hereof and any term of the Offer Sheet, the terms of these RFQ shall prevail.

### **4.0 Scope of Supply - General**

The “Scope of Supply” shall be on the basis of Bidder’s responsibility, completely covering the obligations, responsibility and supplies provided in this Bid enquiry whether implicit or explicit.

Bidder shall have to quote for the Bill of quantities as listed in Section – IV of this RFQ.

Quantity variation and additional requirement if any shall be communicated to successful bidder during project execution.

All relevant drawings, data and instruction manuals.

## **5.0 Quality Assurance and Inspection**

Immediately on award of contract, the bidder shall prepare detailed quality assurance plan / test procedure identifying the various stages of manufacture, quality checks performed at each stage, raw material inspection and the Customer hold points. The document shall also furnish details of method of checking, inspection and acceptance standards / values and get the approval of Purchaser before proceeding with manufacturing. However, Purchaser shall have right to review the inspection reports, quality checks and results of suppliers in house inspection department which are not Customer hold points and the supplier shall comply with the remarks made by purchaser or his representative on such reviews with regards to further testing, rectification or rejection, etc.

Witness and Hold points are critical steps in manufacturing, inspection and testing where the supplier is obliged to notify the Purchaser in advance so that it may be witnessed by the Purchaser. Final inspection is a mandatory hold point. The supplier needs to proceed with the work past a hold point only after clearance by purchaser or a witness waiver letter from BRPL.

The performance of waiver of QA activity by Purchaser at any stage of manufacturing does not relieve the supplier of any obligation to perform in accordance with and meet all the requirements of the procurement documents and also all the codes & reference documents mentioned in the procurement document nor shall it preclude subsequent rejection by the purchaser.

On completion of manufacturing the items can be dispatched only after issue of shipping release by the Purchaser.

All testing and inspection shall be done without any extra cost.

Purchaser reserve the right to send any material out of the supply to any recognized laboratory for testing and the cost of testing shall be borne by the Purchaser. In case the material is found not in order with the technical requirement / specification, the charges along with any other penalty which may be levied is to be borne by the bidder. To avoid any complaint the supplier is advised to send his representative to the stores to see that the material sent for testing is being sealed in the presence of bidders representative.

Bidder has to sign quality agreement before supply of the material.

## **6.0 Packing, Packing List & Marking**

**Packing:** Supplier shall pack or shall cause to be packed all Commodities in boxes and containers and otherwise in such a manner as shall be reasonably suitable for shipment by road or rail to BRPL without undue risk of damage in transit.

**Packing List:** The contents of each package shall be itemized on a detailed list showing the exact weight and the extreme outside dimensions (length, width and height) of each container or box. One copy of the packing list shall be enclosed in each package delivered. There shall

also be enclosed in one package a master packing list identifying each individual package, which is part of the shipment. On any packaging where it is not feasible to place the packing list inside the container, all pertinent information shall be stenciled on the outside and will thus constitute a packing list.

## **7.0 Prices basis for supply of materials**

Bidders require quoting their prices on Landed Cost Basis and separate price for each item. For Supply to BRPL Delhi the price shall be inclusive of packing, forwarding, GST and freights. The above supply prices shall also include unloading at site stores. Transit and storage insurance will be arranged by BRPL; however bidder to furnish required details in advance for arranging the same by BRPL.

## **8.0 Variation in taxes, duties & levies:**

The total order value shall be adjusted on account of any variations in Statutory Levies imposed by Competent Authorities by way of fresh notification(s) within the stipulated delivery period only. However, incase of reduction in taxes, duties and levies, the benefits of the same shall be passed on to BUYER.

No other Taxes, Duties & Levies other than those specified above will be payable by BUYER except in case of new Levies, Taxes & Duties imposed by the Competent Authorities by way of fresh notification(s) subsequent to the issue of PURCHASE ORDER but within the stipulated delivery period.

Notwithstanding what is stated above, changes in Taxes, Duties & Levies shall apply only to that portion of PURCHASE ORDER not executed on the date of notification by Competent Authority. Further, changes in Taxes, Duties & Levies after due date of Delivery shall not affect PURCHASE ORDER Terms and Value.

PURCHASE ORDER value shall not be subject to any variation on account of variation in Exchange rate(s).

## **9.0 Taxes & Duties on raw materials & bought out components:**

Taxes & Duties on raw materials & bought out components are included in Order Value and are not subject to any escalation or variation for any reason whatsoever.

Taxes & Duties on raw materials & bought out components procured indigenously are included in Order Value and are not subject to any escalation or variation for any reason whatsoever.

## **10.0 Terms of payment and billing**

For Supply of Equipments:

- 100% payment shall be made within 45 days from the date of receipt of material at store/ site against submission of 10 % performance bank guarantee. (Refer 10.01)



Bidder to submit the following documents against dispatch of each consignment:

- i) Consignee copy of LR
- ii) Supplier detailed invoice showing commodity description, quantity, unit price, total price and basis of delivery.
- iii) Original certificate issued by BRPL confirming receipt of material at site and acceptance of the same.
- iv) Dispatch clearance / inspection report in original issued by the inspection authority
- v) Packing List.
- vi) Test Reports
- vii) Guarantee Certificate.
- viii) Insurance policy to be obtained by supplier

### **11.0 Price Validity**

11.01 All bids submitted shall remain valid, firm and subject to unconditional acceptance by BRPL Delhi for 120 days post bid-date. For awarded suppliers, the prices shall remain valid and firm till contract completion.

### **12.0 Performance Guarantee**

12.01 Supplier shall establish a performance bond in favor of BRPL in an amount not less than Ten percent (10%) of the total price of the Contract (the "Performance Bond"). The Performance Bond shall be valid for a period of twenty four months (24) from the date of the commissioning or thirty months (30) from the date of receipt of material (last consignment) at site/stores whichever is earlier plus 3 months towards claim period. It shall be in accordance with one of the following terms:

- a) Depositing pay order /demand draft of the relevant amount directly with BRPL at the address listed above or as otherwise specified by BRPL, either of which shall constitute the Performance Bond hereunder; or
- b) Bank guarantee from any nationalized bank in favour of BSES RAJDHANI POWER LTD (BRPL). The performance Bank guarantee shall be in the format as specified by BRPL.

### **13.0 Forfeiture**

Each Performance Bond established under Clause 10.0 shall contain a statement that it shall be automatically and unconditionally forfeited without recourse and payable against the presentation by BRPL of this Performance Bond to the ICICI Bank at Mumbai, or to the relevant company/ correspondent bank referred to above, as the case may be, together with a simple statement that supplier has failed to comply with any term or condition set forth in the Contract.

Each Performance Bond established under will be automatically and unconditionally forfeited without recourse if BRPL in its sole discretion determines that supplier has failed to comply with any term or condition set forth in the contract.

#### **14.0 Release**

All Performance Bonds will be released without interest within seven (7) days from the last date up to which the Performance Bond has to be kept valid (as defined in Clause 10.0) except for the case set forth in Clause 21.0.

#### **15.0 Defects Liability Period**

15.01 The bidder to Guarantee the materials / items supplied against any defect of failure, which arise due to faulty materials, workmanship or design for the entire defects liability period. The Defect liability period shall be 60 months from the date of commissioning or 66 months from the date of delivery whichever is earlier. If during the defects liability period any materials / items are found to be defective, these shall be replaced or rectified by the bidder at his own cost within 30 days from the date of receipt of intimation.

#### **16.0 Return, Replacement or Substitution.**

BRPL shall give Supplier notice of any defective Commodity promptly after becoming aware thereof. BRPL may in its discretion elect to return defective Commodities to Supplier for replacement, free of charge to BRPL, or may reject such Commodities and purchase the same or similar Commodities from any third party. In the latter case BRPL shall furnish proof to Supplier of the cost of such substitute purchase. In either case, all costs of any replacement, substitution, shipping, labour and other related expenses incurred in connection with the return and replacement or for the substitute purchase of a Commodity hereunder should be for the account of Supplier. BRPL may set off such costs against any amounts payable by BRPL to Supplier. Supplier shall reimburse BRPL for the amount, if any, by which the price of a substitute Commodity exceeds the price for such Commodity as quoted in the Bid.

#### **17.0 Effective Date of Commencement of Contract:**

17.01 The date of the issue of the Letter of Acceptance shall be treated as the effective date of the commencement of Contract.

#### **18.0 Time – The Essence of Contract**

18.01 The time and the date of completion of the “Supply” as stipulated in the Letter Of Acceptance / Purchase order issued to the Supplier shall be deemed to be the essence of the “Contract”. The Supply has to be completed not later than the aforesaid Schedule and date of completion of supply.

#### **19.0 The Laws and Jurisdiction of Contract:**

The laws applicable to this Contract shall be the Laws in force in India.

All disputes arising in connection with the present Contract shall be settled amicably by mutual consultation failing which shall be finally settled as per the rules of Arbitration and Conciliation Act, 1996 at the discretion of Purchaser. The venue of arbitration shall be at Mumbai in India

## **20.0 Events of Default**

20.01 Events of Default. Each of the following events or occurrences shall constitute an event of default ("Event of Default") under the Contract:

- a) Supplier fails or refuses to pay any amounts due under the Contract;
- b) Supplier fails or refuses to deliver Commodities conforming to this RFQ/ specifications, or fails to deliver Commodities within the period specified in P.O. or any extension thereof
- c) Supplier becomes insolvent or unable to pay its debts when due, or commits any act of bankruptcy, such as filing any petition in any bankruptcy, winding-up or reorganization proceeding, or acknowledges in writing its insolvency or inability to pay its debts; or the Supplier's creditors file any petition relating to bankruptcy of Supplier;
- d) Supplier otherwise fails or refuses to perform or observe any term or condition of the Contract and such failure is not remediable or, if remediable, continues for a period of 30 days after receipt by the Supplier of notice of such failure from BRPL.

## **21.0 Consequences of Default.**

- a) If an Event of Default shall occur and be continuing, BRPL may forthwith terminate the Contract by written notice.
- b) In the event of an Event of Default, BRPL may, without prejudice to any other right granted to it by law, or the Contract, take any or all of the following actions;
  - i) present for payment to the relevant bank the Performance Bond;
  - ii) purchase the same or similar Commodities from any third party; and/or
  - iii) recover any losses and/or additional expenses BRPL may incur as a result of Supplier's default.

## **22.0 Penalty for Delay**

If supply of items / equipments is delayed beyond the supply schedule as stipulated in purchase order then the Supplier shall be liable to pay to the Purchaser as penalty for delay, a sum of 1% (one percent) of the contract price for every week delay or part thereof for undelivered quantities.

The total amount of penalty for delay under the contract will be subject to a maximum of ten percent (10%) of the contract price for undelivered quantities.

The Purchaser may, without prejudice to any method of recovery, deduct the amount for such damages from any amount due or which may become due to the Supplier or from the Performance Bond or file a claim against the supplier.

## **23.0 Force Majeure**

### General

An "Event of Force Majeure" shall mean any event or circumstance not within the reasonable control directly or indirectly, of the Party affected, but only if and to the extent that:

- i) Such event or circumstance materially and adversely affects the ability of the affected Party to perform its obligations under this Contract, and the affected Party has taken all reasonable precautions, due care and reasonable alternative measures in order to prevent or avoid the effect of such event on the affected party's ability to perform its obligations under this Contract and to mitigate the consequences thereof.
- ii) For the avoidance of doubt, if such event or circumstance would not have materially and adversely affected the performance of the affected party had such affected party followed good industry practice, such event or circumstance shall not constitute force majeure.
- iii) Such event is not the direct or indirect result of the failure of such Party to perform any of its obligations under this Contract.
- iv) Such Party has given the other Party prompt notice describing such events, the effect thereof and the actions being taken in order to comply with above clause.

Specific Events of Force Majeure subject to the provisions of above clause, Events of Force Majeure shall include only the following to the extent that they or their consequences satisfy the above requirements:

Mitigation of Events of Force Majeure Each Party shall:

- i) Make all reasonable efforts to prevent and reduce to a minimum and mitigate the effect of any delay occasioned by an Event of Force Majeure including recourse to alternate methods of satisfying its obligations under the Contract;
- ii) Use its best efforts to ensure resumption of normal performance after the termination of any Event of Force Majeure and shall perform its obligations to the maximum extent practicable as agreed between the Parties; and
- iii) Keep the other Party informed at regular intervals of the circumstances concerning the event of Force Majeure, with best estimates as to its likely continuation and what measures or contingency planning it is taking to mitigate and or terminate the Event of Force Majeure.

**Burden of Proof** In the event that the Parties are unable in good faith to agree that a Force Majeure event has occurred to an affected party, the parties shall resolve their dispute in accordance with the provisions of this Agreement. The burden of proof as to whether or not a force majeure event has occurred shall be upon the party claiming that the force majeure event has occurred and that it is the affected party.

Termination for Certain Events of Force Majeure. If any obligation of any Party under the Contract is or is reasonably expected to be delayed or prevented by a Force Majeure event for a continuous period of more than 3 months, the Parties shall promptly discuss in good faith how to proceed with a view to reaching a solution on mutually agreed basis. If a solution on mutually agreed basis cannot be arrived at within a period of 30 days after the expiry of the period of three months, the Contract shall be terminated after the said period of 30 days and neither Party shall be liable to the other for any consequences arising on account of such termination.

Limitation of Force Majeure event. The Supplier shall not be relieved of any obligation under the Contract solely because cost of performance is increased, whether as a consequence of adverse economic consequences or otherwise.

Extension of Contract Period due to Force Majeure event The Contract period may be extended by mutual agreement of Parties by way of an adjustment on account of any period during which an obligation of either Party is suspended due to a Force Majeure event.

Effect of Events of Force Majeure. Except as otherwise provided herein or may further be agreed between the Parties, either Party shall be excused from performance and neither Party shall be construed to be in default in respect of any obligations hereunder, for so long as failure to perform such obligations shall be due to and event of Force Majeure."

#### **24.0 Transfer And Sub-Letting**

24.01 The Supplier shall not sublet, transfer, assign or otherwise part with the Contract or any part thereof, either directly or indirectly, without prior written permission of the Purchaser.

#### **25.0 Recoveries**

25.01 Whenever under this contract any money is recoverable from and payable by the bidder, the purchaser shall be entitled to recover such sum by appropriating in part or in whole by detecting any sum due to which any time thereafter may become due from the supplier in this or any other contract. Should the sum be not sufficient to cover the full amount recoverable the bidder shall pay to the purchaser on demand the remaining balance.

#### **26.0 Waiver**

26.01 Failure to enforce any condition herein contained shall not operate as a waiver of the condition itself or any subsequent breach thereof.

#### **27.0 Indemnification**

27.01 Notwithstanding contrary to anything contained in this RFQ, Supplier shall at his costs and risks make good any loss or damage to the property of the Purchaser and/or the other Supplier engaged by the Purchaser and/or the employees of the Purchaser and/or employees of the other Supplier engaged by the Purchaser whatsoever arising out of the negligence of the Supplier while performing the obligations under this contract.

**SECTION – IV: QUANTITY AND DELIVERY REQUIREMENT**

Sl. No.	Item Description	Specification	Requirement	Delivery Schedule	Location
BRPL,DELHI					
1	Supply of 33 kV VCB Switchgear Panels for Various Grids in BRPL	SECTION V	144 Nos	2-3 months from the date of Ordering	Stores BRPL Delhi

**Annexure –I**

**BID FORM**

**Supply of 11 kV VCB Switchgear Panels for Various Grids In BRPL**

To

Head of the Department Contracts & Materials BSES Rajdhani Power Ltd BSES Bhawan, Nehru  
Place New Delhi– 110019

Sir,

We understand that BRPL is desirous of procuring “Supply of 11 kV VCB Switchgear Panels for Various Grids In BRPL” in its licensed distribution network area in Delhi. Having examined the Bidding Documents for the above named works, we the undersigned, offer to deliver the goods in full conformity with the Drawings, Conditions of Contract and specifications for the sum of AS PER PRICE BID ENCLOSED or such other sums as may be determined in accordance with the terms and conditions of the contract .The above amounts are in accordance with the Price Schedules attached herewith and are made part of this bid.

If our Bid is accepted, we undertake to deliver the entire goods as per delivery schedule given by you from the date of award of purchase order/letter of intent.

If our Bid is accepted, we will furnish a performance bank guarantee for an amount of 10% (Ten) percent of the total contract value for due performance of the Contract in accordance with the General Conditions of Contract.

We agree to abide by this Bid for a period of 120 days from the date fixed for bid opening under clause 9.0 of GCC, and it shall remain binding upon us and may be accepted at any time before the expiration of that period.

We declare that we have studied the provision of Indian Income Tax Law and other Indian Laws for supply of equipments/materials and the prices have been quoted accordingly.

Unless and until Letter of Intent is issued, this Bid, together with your written acceptance thereof, shall constitute a binding contract between us.

We understand that you are not bound to accept the lowest, or any bid you may receive.

There is provision for Resolution of Disputes under this Contract, in accordance with the Laws and Jurisdiction of Contract, Clause 19 of GCC .

Dated this.....day of.....20.....

Signature..... In the capacity of.....

.....duly authorized to sign for and on behalf of (IN BLOCK CAPITALS).....

**FORMAT FOR EMD BANK GUARANTEE**

*(To be issued in a Non Judicial Stamp Paper of Rs.50/-purchased in the name of the bank)*

Whereas [name of the Bidder] (hereinafter called the “Bidder”) has submitted its bid dated [date of submission of bid] for the supply of [name and/or description of the goods] (hereafter called “the Bid”). KNOW ALL PEOPLE by these presents that WE [name of bank]at[Branch Name and address],having our registered office at[address of the registered office of the bank](herein after called —“the Bank”),are bound unto BSES Rajdhani Power Ltd., with its Corporate Office at BSES Bhawan Nehru Place, New Delhi -110019, (herein after called —the “Purchaser”) in the sum of\_\_\_\_\_for which payment well and truly to be made to the said Purchaser, the Bank binds itself, its successors, and assigns by these presents. Sealed with the Common Seal of the said Bank this\_\_\_\_day of\_\_20\_\_.

THE CONDITIONS of this obligation are:

If the Bidder withdraws its Bid during the period of bid validity specified by the Bidder on the Bid Form; or

If the Bidder, having been notified of the acceptance of its Bid by the Purchaser during the period of bid validity:

fails or refuses to execute the Contract Form ,if required; or  
fails or refuses to furnish the performance security, In accordance with the Instructions to Bidders/GENERAL CONDITIONS.;

We undertake to pay to the Purchaser up to the above amount upon receipt of its first written demand, without the Purchaser having to substantiate its demand, provided that is its demand the purchaser will note that amount claimed by it is due to it, owing to the occurrence of one or both of the two conditions, specifying the occurred condition or conditions.

This guarantee will remain in force up to and including thirty (30) days after the period of bid validity, and any demand in respect thereof should reach the Bank not later than the above date.

(Signature of the bank)

Signature of the witness



## **FORM FOR PARTICIPATION IN REVERSE AUCTION EVENT**

(To be signed & stamped by the bidder along-with bid)

BSES Rajdhani Power Ltd (BRPL) intends to use reverse auction through SAP-SRM tool as an integral part of entire tendering process. All bidders who are techno-commercially qualified on the basis of tender requirements shall participate in the reverse auction.

The following terms and conditions are deemed as accepted by the bidder on participation in the bid:-

1. In case of bidding through Internet medium, bidders are advised to ensure availability of all associated infrastructure as required to participate in the reverse auction event. Inability to bid due to telephone glitch, internet response issues, software & hardware hangs/failures, power failures or any other reason shall not be the responsibility of BRPL.
2. In case bidder fails to participate in the reverse auction event due to any reason whatsoever, it shall be presumed that the bidder has no further discounts to offer and the initial bid submitted by them as a part of tender shall be considered as bidder's Final .No Regret offer.Any off-line price bids received from a bidder in lieu of non-participation in the reverse auction event shall be rejected by BRPL.
3. The bidder is advised to understand the auto bid process t safeguard themselves against any possibility of non-participation in the reverse auction event.
4. The bidder shall be prepared with competitive price quotes during the day of reverse auction event.
5. The prices quoted by bidder in reverse auction event shall be on FOR Landed cost BRPL Store/site basis inclusive of all relevant taxes, duties, levies, transportation charges etc.
6. The prices submitted by the bidder during reverse auction event shall be binding on the bidder.
7. The bidder agrees to non-disclosure of trade information regarding bid details e.g.purchase, identity, bid process/technology, bid documentation etc.
8. BRPL will make every effort to make the bid process transparent. However award decision of BRPL will be final and binding on the bidder.
9. The prices submitted during reverse auction event shall be binding on the bidder.
10. No request for Time extension of the reverse auction event shall be considered by BRPL.

### **Seal & Signature of Bidder**

**PRICE FORMAT**

ENQUIRY NO & DATE: NIT: CMC/BR/22-23/RB/PR/RJ/1024

**PRICE SCHEDULE**

ITEM DESCRIPTION	QTY AS PER RFQ	UOM	EX-WORKS RATE/UNIT	CGST (%)	CGST AMT	SGST (%)	SGST AMT	IGST (%)	IGST AMT	FRT	LANDED RATE/UNIT	TOTAL LANDED COST (INR)
SUPPLY OF 11KV AIS SWITCHGEAR BOARD	09	SETS										

**DETAILS OF PANELS WITH GRID**

		G 4 Dwarka Grid	G-15 PPK Grid	Mitraun Grid	Bodella 1	Mukherjee Park	Okhala Phase 2	Mehrauli	Andheria Bagh	Sagarpur
Description of Material	Unit	Qty								
SWGR SWBD 11KV INCOMER 2000 AMPS	EA	1		1		2	1	2	2	3
SWGR SWBD 11 KV OUTGOING FEEDER, 800AMPS	EA	8		8		11	7	12	11	14
SWGR SWBD 11KV BUS SECTION 2000AMPS	EA	1		1		1				
SWGR PANEL 11KV CAPACITOR 1250AMPS	EA	1		1		2	1	2	1	3
PNL,ELEC PWR,INDR STN XMER;11KV;800A	EA					1		2	1	1
SWITCHGR,BUS PT;11KV	EA	1		1		2	1	2	2	3
PANEL BUS RISER 11KV	EA	1		1		1	1	2	2	3
PNL,ELEC PWR,INDR BUS CPLR;11KV;2000A	EA						1	1	1	2
SWITCHGEAR EARTHING TRUCK CABLE SIDE	EA	1		1		1	1	1	1	1
SWITCHGEAR EARTHING TRUCK BUS SIDE	EA	1		1		1	1	1	1	1

- Note: 1.The prices received without break up of ex works, Freight, GST are liable for rejection  
 2. Pls. Indicate the exact percentage of taxes in figures and words.  
 3. If there is a discrepancy between the unit price and the total price THE UNIT PRICE shall prevail.  
 4. Bidders are requested to attach the covering letter head along with the price bid indicating reference no and date.

Bidders seal & signature

**Annexure – V**

Enquiry No. : CMC/BR/22-23/RB/PR/RJ/1024

**COMMERCIAL TERMS AND CONDITIONS**

S/NO	ITEM DESCRIPTION	AS PER BRPL	CONFIRMATION OF BIDDER
1	Validity of prices	120 days from date of offer	
2	Price basis	Firm, FOR Delhi store basis, Prices shall be inclusive of all taxes & duties, freight upto Delhi stores. Unloading at stores be in vendor's scope Transit insurance in BRPL scope	
3	Payment Terms	100% payment within 45 days after receipt of material at stores	
4	Delivery schedule	As per Section IV	
5	Defect Liability Period	60 months after commissioning or 66 months from the last date of supply, whichever is earlier.	
6	Penalty for delay	1% per week of delay of undelivered units or part thereof subject to maximum of 10% of total PO value of undelivered units	
7	Performance Bank Guarantee	10% of total PO value for 24 months after commissioning or 30 months from date of supply, whichever is earlier plus 3 months towards claim period	

**ANNEXURE - VI**

ENQUIRY NO: CMC/BR/22-23/RB/PR/RJ/1024

**NO DEVIATION SHEET**

SL NO	SL NO OF TECHNICAL SPECIFICATION	DEVIATION, IF ANY

**SIGNATURE & SEAL OF BIDDER**

**NAME OF BIDDER**

**CHECK LIST**

<b>Sl No</b>	<b>Item Description</b>	<b>YES/NO</b>
<b>1</b>	<b>INDEX</b>	<b>YES/NO</b>
<b>2</b>	<b>COVERING LETTER</b>	<b>YES/NO</b>
<b>3</b>	<b>BID FORM (UNPRICED) DULY SIGNED</b>	<b>YES/NO</b>
<b>4</b>	<b>BILL OF MATERIAL (UNPRICED)</b>	<b>YES/NO</b>
<b>5</b>	<b>TECHNICAL BID</b>	<b>YES/NO</b>
<b>6</b>	<b>ACCEPTANCE TO COMMERCIAL TERMS &amp; CONDITIONS</b>	<b>YES/NO</b>
<b>7</b>	<b>FINANCIAL BIDS (IN SEALED ENVELOPE)</b>	<b>YES/NO</b>
<b>8</b>	<b>EMD IN PRESCRIBED FORMAT</b>	<b>YES/NO</b>
<b>9</b>	<b>DEMAND DRAFT OF RS 1180/- DRAWN IN FAVOUR OF</b>	<b>BSES RAJDHANI POWER LTD</b>
<b>10</b>	<b>POWER OF ATTORNEY/ AUTHORISATION LETTER FOR SIGNING THE BID</b>	<b>YES/NO</b>

**SECTION – V**

**TECHNICAL SPECIFICATIONS (TS)**

**Supply of 11 kV Switchgear Panel for various Grids in BRPL**

**CMC/BR/22-23/RB/PR/RJ/1024**

**BSES**

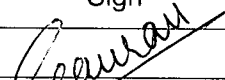
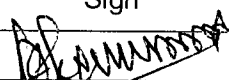
SP-HTSWG-01-R1

TECHNICAL SPECIFICATION FOR HT INDOOR SWITCHGEAR (33 & 11kV)

**TECHNICAL SPECIFICATION**

**FOR**

**HT INDOOR SWITCHGEAR (33 & 11KV)**

Prepared by		Approved by		Rev	01
Name	Sign	Name	Sign	Date	22 <sup>nd</sup> July 2014
GS		DS		Page	1 of 70

**INDEX**

1.0	SCOPE OF SUPPLY.....	3
2.0	CODES & STANDARDS.....	3
3.0	PANEL CONSTRUCTION.....	3
4.0	CIRCUIT BREAKER.....	5
5.0	FUNCTIONAL REQUIREMENTS .....	6
6.0	SURGE SUPPRESSOR.....	8
7.0	CURRENT TRANSFORMER .....	8
8.0	POTENTIAL TRANSFORMER .....	8
9.0	FEEDER AND BUS EARTHING .....	9
10.0	EQUIPMENT EARTHING .....	9
11.0	METERS.....	9
12.0	INDICATION, ALARMS & ANNUNCIATION.....	10
13.0	SELECTOR SWITCHES & PUSH BUTTONS .....	11
14.0	INTERNAL WIRING .....	12
15.0	TERMINAL BLOCKS.....	13
16.0	RELAYS .....	13
17.0	SPACE HEATERS .....	22
18.0	SOCKETS, SWITCHES & ILLUMINATION LAMPS .....	22
19.0	NAMEPLATES AND MARKING.....	22
20.0	SURFACE TREATMENT & PAINTING.....	23
21.0	APPROVED MAKES OF COMPONENTS.....	23
22.0	INSPECTION AND TESTING .....	24
23.0	DRAWINGS & DATA SUBMISSION.....	25
24.0	PACKING .....	26
25.0	SHIPPING .....	27
26.0	HANDLING AND STORAGE.....	28
27.0	QUALITY ASSURANCE.....	28
28.0	PROGRESS REPORTING.....	28
29.0	DEVIATION .....	28
30.0	ACCESSORIES & TOOLS.....	29
	ANNEXURE – A - SCOPE OF SUPPLY.....	30
	ANNEXURE – B – TRANSFORMER MONITORING CUM AVR RELAY.....	31
	ANNEXURE – C - TECHNICAL PARTICULARS (DATA BY PURCHASER).....	34
	ANNEXURE – D - GUARANTEED TECHNICAL PARTICULARS (DATA BY BIDDER).....	38
	ANNEXURE – E – SPARES REQUIREMENT .....	58
	ANNEXURE - F - SINGLE LINE DIAGRAMS (F1 TO F12).....	59



**1.0 SCOPE OF SUPPLY**

The HT indoor switchgear shall be as per this specification. Scope of supply should be strictly as per Annexure – A

**2.0 CODES & STANDARDS**

Materials, equipment and methods used in the manufacture of switchboards shall conform to the latest edition of following –

2.1	Indian Electricity Rules 1956	Latest edition
2.2	Indian Electricity act 1910	Latest edition
2.3	Switchgear and control gear	IEC : 60694, IEC: 60298, IEC : 62271-200, IEC : 60529, IS: 3427, IS: 12729, IS: 12063, IS: 13947, IS: 9046
2.4	Circuit breaker	IEC 62271 - 100, IS 13118, IS 2516
2.5	Isolators & earthing switches	IEC 62271 - 102
2.6	Current transformers	IS:2705, IEC:60185
2.7	Voltage transformer	IS:3156, IEC:60186,
2.8	Indicating Instruments	IS:1248
2.9	Energy meters	IS 13010
2.10	Relays	IS:8686, IS:3231, IS:3842
2.11	Control switches and push buttons	IS 6875
2.12	HV fuses	IS 9385
2.13	Arrangement of Switchgear bus bars, main connections and auxiliary wiring	IS:375
2.14	Code of practice for phosphating iron & steel	IS 6005
2.15	Colours for ready mixed paints	IS 5
2.16	Code of practice for installation and maintenance of switchgear	IS 3072

**3.0 PANEL CONSTRUCTION**

3.1	Enclosure Type	Free standing, Indoor, Fully compartmentalised, Metal clad, Vermin proof,
-----	----------------	---

3.2	Enclosure degree of protection	IP 4X for high voltage compartment IP 5X for low voltage compartment
3.3	Enclosure material	Pre-Galvanized CRCA steel
3.3.1	Load bearing members	2.5 mm thick
3.3.2	Doors and covers	2.0 mm thick
3.3.3	Gland plate	3.0 mm MS for multicore and 5.0 mm Aluminium for single core cables. All gland plates should be detachable type with gasket
3.4	Height of the panel	Maximum 2700mm, Operating height maximum 1600mm
3.5	Extensibility	On either side
3.6	Separate Compartments for	Bus bar, Circuit Breaker, HV incoming cable, HV outgoing cable, PT, LV instruments & relays
3.7	Transparent inspection window	For cable compartment at height of cable termination.
3.8	Bus end cable box	For direct cable feeder from bus?
3.9	Breaker compartment door	Separate, with lockable handle (Design with breaker trolley as the front cover is not acceptable). Door of one panel should not cause hindrance for opening of adjacent panel.
3.10	Inter compartmental connections	
3.10.1	Breaker to bus bar compartment	Through seal-off bushings
3.10.2	Breaker to cable compartment	Through seal-off bushings
3.11	Pressure relief devices	To be provided for each HV compartment
3.12	Bus support insulator	Non-hygroscopic, track-resistant, high strength, Epoxy insulators (Calculation for validating dynamic force withstand capability to be submitted during detailed engineering)
3.13	Fixing arrangement	Doors - Concealed hinged, door greater than 500mm shall have minimum three sets of hinges Covers - SS bolts Gasket - Neoprene

3.14	Required HV cable termination height in the cable compartment	650 mm for 11 KV. 1000mm for 33 KV
3.15	Panel Base Frame	Steel Base frame as per manufacturer's standard.
3.16	Handle	Removable bolted covers with handle for cable chamber and busbar chamber. Panel no./identification to be provided on cable box cover also.
3.17	Technical particulars	As per Annexure –C

**4.0 CIRCUIT BREAKER**

4.1	Type	Truck or cassette type
4.2	Mounting	On withdrawable truck or carriage, with locking facility in service position.
4.3	Switching duty	a. Transformer (oil filled and dry type) b. Motor (of small and large ratings – DOL starting with starting current 6 to 8 times the full load current & with a maximum of 3 starts per hour) c. Underground cable with length up to 10 km
4.4	Interrupting medium	Vacuum
4.5	Breaker operation	Three separate identical single pole units operated through the common shaft
4.6	Operating Mechanism	Re-strike free, Trip free, with electrical anti-pumping feature
4.6.1	Type	Motor wound, spring charged, stored energy type with manual charging facility
4.6.2	Operation on supply failure	One O-C-O operation possible after failure of power supply to the spring charging motor
4.7	Breaker indications & push buttons	
4.7.1	ON/ OFF / Emergency trip push button	a. Manual / mechanical. b. Emergency Off push button should be provided with a protective flap. c. Mechanical ON shall have padlocking facility.

4.7.2	Mechanical ON – OFF indication	On breaker trolley front
4.7.3	Operation counter	On breaker trolley front
4.7.4	Test-service position indicator	On breaker trolley front
4.7.5	Mechanism charge / discharge indicator	On breaker trolley front
4.8	Breaker positions	Service, Test and Isolated
4.9	Inter changeability	Possible, only with breaker of same rating
4.10	Breaker Control	On panel front only
4.11	Handle	Breaker shall be provided with handles for easy handling, rack in-out operation and manual spring charging as applicable.
4.12	Technical particulars	As per Annexure-C

### 5.0 FUNCTIONAL REQUIREMENTS

5.1	Interlocks	
5.1.1	Breaker compartment door opening	Opening of door and rack out to test/isolated position should be possible with breaker in OFF position only.
5.1.2	Breaker compartment door closing	Should be possible even when breaker is in isolated position
5.1.3	Racking mechanism safety interlock	Mechanical type
5.1.4	Racking in or out of breaker	When the breaker is closed
5.1.5	Racking in the circuit breaker	Unless the control plug is fully engaged
5.1.6	Disconnection of the control plug	As long as the breaker is in service position
5.2	Safety Devices	
5.2.1	Exposure to live parts	In case the breaker panel door is required to be opened during a contingency, the personnel should not be exposed to any live part. Suitable shrouds/barriers/insulating sleeves should be provided.

5.2.2	Breaker handling	In case the breaker is mounted on a carriage which does not naturally roll out on the floor, a trolley for handling the breaker is to be provided.
5.3	Operation of breaker	In either service or test position
5.3.1	Closing from local	Only when local/remote selector switch is in local position
5.3.2	Closing from remote	Only when local/remote selector switch is in remote position
5.3.3	Tripping from local	Only when local/remote selector switch is in local position
5.3.4	Tripping from remote	Only when local/remote selector switch is in remote position
5.3.5	Tripping from protective relays	Irrespective of position of local/remote switch
5.3.6	Testing of breaker	In test or isolated position keeping control plug connected
5.4	Safety shutters.	
5.4.1	Automatic safety shutter for female primary disconnects	To fully cover contacts when breaker is withdrawn to test. Independent operating mechanism for bus bar & cable side shutters, separately pad-lockable in closed position.
5.4.2	Label for identification	For Bus side and cable side shutters
5.4.3	Warning label on shutters of incoming and other connections	Clearly visible label "Isolate elsewhere before earthing" be provided
5.5	Breaker electrical operation features	
5.5.1	Trip circuit supervision	To be given for breaker close & open condition
5.5.2	Trip circuit supervision relay contact	For indication, alarm & to inhibit closing of breaker
5.5.3	Emergency trip push button contact	Wired directly to trip coil (wired to Master trip relay if second trip coil provided)
5.5.4	Emergency trip push button contact	Wired to inhibit closing of breaker
5.5.5	Master trip relay contact (if given)	Wired to inhibit closing of breaker

5.6	DC control supply bus in all panels	Fed by two DC incoming sources in Bus coupler panel with auto changeover facility
5.7	PT supply bus in all panels	Fed normally by bus PT with automatic changeover facility to incomer line PT

**6.0 SURGE SUPPRESSOR**

6.1	Provision	To be provided in all panels except bus coupler and BPT.
6.2	Type	Gapless, metal oxide type
6.3	Technical particulars	As per Annexure -C

**7.0 CURRENT TRANSFORMER**

7.1	Type	Shall be cast resin type with insulation class of E or better.
7.2	Rating and technical particulars	As per Annexure – C (Technical particulars) and Annexure – F (SLDs)
7.3	CBCT	If specified, bidder shall clearly mention his proposal for mounting the same.

**8.0 POTENTIAL TRANSFORMER**

8.1	Type	Shall be cast resin type with insulation class of E or better.
8.2	Rating and technical particulars	As per Annexure – C (Technical particulars) and Annexure – F (SLDs)
8.3	Mounting	It shall be mounted on a withdrawable carriage. Mounting of PT on the breaker truck is not acceptable. In case it is mounted on the panel rear top, access to the PT and the reinforcement in the panel for allowing a person to stand should be provided.
8.4	Neutral	The HV neutral connection to earth shall be easily accessible for disconnection during HV test.

**9.0 FEEDER AND BUS EARTHING**

9.1	Earthing arrangement	Through separate earthing truck for bus & feeder
9.2	Short time withstand capacity of earthing truck	Equal to rating of breaker. Refer technical parameters.
9.3	Operation from front	Mechanically operated by separate switch.
9.4	Interlocks	To prevent inadvertent closing on live circuit, with padlocking arrangement to lock truck in close or open position.

**10.0 EQUIPMENT EARTHING**

10.1	Material of earthing bus	Aluminium
10.2	Earth bus joints	All bolted joints in the bus should be made by connection of two bolts.
10.3	Rating	Sized for rated short circuit current for 3 seconds
10.4	Enclosure & non -current carrying part of the switchboard / components	Effectively bonded to the earth bus.
10.5	Hinged doors	Earthed through flexible copper braid
10.6	Circuit breaker frame /carriage	Earthed before the main circuit breaker contacts/ control circuit contacts are plugged in the associated stationary contacts
10.7	Metallic cases of relays, instruments and other LT panel mounted equipment	Connected to the earth bus by independent copper wires of size not less than 2.5 sq. mm with green colour insulation. For this purpose LT compartment should have a clear designated earth bus to which earth connections from all components are to be connected.
10.8	CT and PT neutral	Earthed at one place at the terminal blocks through links.

**11.0 METERS**

11.0	Mounting	Flush mounted
11.1	Ammeter	Digital type with programmable ratio

11.1.1	Size	96x96 mm
11.1.2	Panels where to be provided	All panels except bus PT
11.1.3	Ammeter selector switch	Inbuilt in meter
11.1.4	Accuracy Class	1.0
11.2	Voltmeter	Digital type with programmable ratio
11.2.1	Size	96x96 mm
11.2.2	Panels where to be provided	Incomer and bus PT panel
11.2.3	Voltmeter switch	Inbuilt in meter
11.2.4	Accuracy Class	1.0
11.3	Energy meter provision	Energy meter is not in supplier's scope. Only space and CT/PT wiring is to be provided in all panels except bus coupler and bus PT.

**12.0 INDICATION, ALARMS & ANNUNCIATION**

12.1	Indications	Flush mounted, High intensity, clustered LED type
12.1.1	Breaker ON	Red
12.1.2	Breaker Off	Green
12.1.3	Spring Charged	Blue
12.1.4	DC control supply fail	Amber
12.1.5	AC control supply fail	Amber
12.1.6	Auto trip	Amber
12.1.7	Test Position	White
12.1.8	Service Position	White
12.1.9	Heater circuit healthy	Yellow (Indication with integrated push button for checking)
12.1.10	Trip circuit healthy	White
12.1.11	PT supply as applicable	R,Y B
12.2	Annunciator (For 33kV Panels only)	
12.2.1	Type	Static type alongwith alarm. Annunciations shall be repetitive type and shall be capable of registering the fleeting signal. Fascia test facility should also be provided.



12.2.2	Note	LED type indications may not be provided for alarm signals provided on annunciator.
12.2.3	Mounting	Flush mounted
12.2.4	Fascia	12 window
12.2.5	Signals to provided on Fascia	Window 1 – Main Protection Operated (Distance /Differential) Window 2 – Backup O/C & E/F Protection Operated Window 3 – LBB operated Window 4 – CB Autotrip Window 5 – Trip Circuit Unhealthy Window 6 – DC Fail Window 7 – AC Fail Window 8 – VT Fuse Fail Window 9 – Protection Relay Faulty
12.2.6	Push Buttons	For test, accept and reset
12.2.7	Potential Free Contacts	To be provided for event logger
12.3	Alarm scheme with isolation switch	a. For DC fail, TC fail and CB auto trip in 11kV panels b. For all signals wired to annunciator in 33kV panels

Sequence of operation of the annunciator shall be as follows-

S No.	Alarm Condition	Fault Contact	Visual Annunciation	Audible Annunciation
a.	Normal	Open	Off	Off
b.	Abnormal	Close	Flashing	On
c.	Accept	Close	Steady on	Off
d.	Return to normal	Open	Steady On	Off
e.	Reset	Open	Off	Off
f.	Reset before return to normal	Close	Flashing	On

### 13.0 SELECTOR SWITCHES & PUSH BUTTONS

13.1	Selector switches	Flush mounted on LV compartment door, with shrouded terminals
13.1.1	TNC switch with pistol grip	Lockable, spring return to normal position

13.1.2	Local / SCADA selector switch	2 pole
13.1.3	Rotary ON/OFF switches	For heater / illumination circuit
13.1.4	Rating	16 A
13.2	Push Button	Flush mounted on LV compartment door, with shrouded terminals
13.2.1	Emergency trip push button	Red color with stay put
13.2.2	Accept push buttons	Black color – Trip alarm / DC fail alarm
13.2.3	Reset push buttons	Yellow color – Trip alarm / DC fail alarm
13.2.4	Rating	10 A

#### **14.0 INTERNAL WIRING**

14.0	Internal wiring	1100 V grade, PVC insulated (FRLS) stranded flexible copper wire.
14.1	Size	2.5 sq mm for CT circuit, 1.5 sq mm for PT & control circuits
14.2	Colour code	
14.2.1	CT & PT	R Ph – Red Y Ph – Yellow B Ph – Blue Neutral – Black
14.2.2	Others	DC– grey, AC-black, Earth – green
14.3	Ferrules	At both ends of wire
14.4	Ferrule type	Interlocked type (one additional red colour ferrule for all wires in trip circuit)
14.5	Lugs	Tinned copper, pre-insulated, ring type, fork type and pin type as applicable. CT circuits should use ring type lugs only.
14.6	Spare contacts	Spare contacts of relays and contactors etc. should be wired upto the terminal block.
14.7	Wiring enclosure	Plastic channels, Inter panel wiring through PVC sleeves

14.8	Interpanel wiring	Wires with ferrule to be terminated in the adjacent shipping section should be supplied with one end terminated and the other end bunched and coiled.
14.9	Auxiliary supply	Auxiliary bus wiring for AC and DC supplies, voltage transformer circuits, annunciation circuits and other common services shall be provided on the same set of terminals in all the panels with proper segregation.

**15.0 TERMINAL BLOCKS**

15.1	Rating and Type	1100 V grade, moulded piece, stud type screw driver operated terminals complete with insulated barriers, washers, nuts and lock nuts.
15.2	Suitability	For termination of minimum 6sqmm flexible copper conductor.
15.3	Marking and covers	White fibre markings strip with clear plastic, slip-on / clip-on terminal covers to be provided.
15.4	Disconnecting Facility	To be provided in CT and PT terminals
15.5	Shorting & Earthing Facility	To be provided in CT Terminals
15.6	Spare Terminals	20% in each TB row
15.7	TB shrouds & separators	Moulded non- inflammable plastic material
15.8	Clearance between 2 sets of TB	100 mm min
15.9	Clearance with cable gland plate	250 mm min
15.10	Clearance between AC / DC set of TB	100 mm min
15.11	Test terminal blocks	Screw driver operated stud type for metering circuit

**16.0 RELAYS**

16.1	Protection Relays – General Features	
16.1.1	Technology and Functionality	Numerical , microprocessor based with provision for multifunction protection, control, metering and monitoring
16.1.2	Mounting	Flush Mounting, IP5X

16.1.3	Architecture	Hardware and software architecture shall be modular and disconnectable to adapt the protection and control unit to the required level of complexity as per the application.
16.1.4	Programming configuration and	Relay shall utilize a user friendly setting and operating multi-lingual software in windows environment with menus and icons for fast access to the data required. Programming software and communication cord for offered relays should be included in scope of supply.
16.1.5	SCADA Interface port	RS485 rear port for interfacing with SCADA on IEC103 protocol. If relays have any other rear port, hardware/software required to achieve the above said compatibility will be in supplier's scope.
16.1.6	PC Interface port	Front port (preferably serial) for configuration/data download using PC. Cost of licensed software and communication cord, required for programming of offered protection relays shall be included in the cost of switchgear.
16.1.7	User Interface	An alphanumeric key pad and graphical LCD display with backlight indicating measurement values and operating messages. It should be possible to access and change all settings and parameters without the use of PC.
16.1.8	Relay Characteristics	Relay shall integrate all necessary protections for different applications in accordance with IS and IEC. Relay shall provide wide setting ranges and choice of all IEC, IEEE and other tripping curves through a minimum of two setting groups.
16.1.9	Event and Fault records	Relay shall have the facility of recording of various parameters during event/fault with option to set the duration of record through settable pre fault and post fault time. Relay shall store records for last 10 events

		and 10 faults (minimum). It should be possible to download records locally to PC or to remote SCADA.
16.1.10	Self diagnosis	Relay shall be able to detect internal failures. A watchdog relay with changeover contact shall provide information about the failure.
16.1.11	Time synchronization	All relays shall be capable of being synchronized with the system clock using SCADA interface and PC.
16.1.12	Operation Indicators	LEDs with push button for resetting.
16.1.13	Test Facility	Inbuilt with necessary test plugs.
16.2	Protection Relays for 11kV Incomer panel	
16.2.1	Relay 1	3-phase Overcurrent and Earthfault protection with IDMT, Definite time and instantaneous characteristics
		Undervoltage and overvoltage protection
		PT supervision (fuse failure monitoring)
16.2.2	Relay 2	High Impedance Restricted Earth fault protection.
16.2.3	User Configurable DIs and DOs	Relay-1 & 2 should have a total of 16 DIs and 10 DOs (minimum). Each relay should have atleast 2 DIs and 4 DOs
16.2.4	Note	Combining functions of Relay-1 and Relay-2 in single relay is not acceptable.
16.2.5	SLD	Refer annexure – F1
16.3	Protection Relays for 11kV Bus Section panel	
16.3.1	Relay 1	3-phase Overcurrent and Earthfault protection with IDMT, Definite time and instantaneous characteristics
		User Configurable 12 DIs and 6 DOs (minimum)
16.3.2	SLD	Refer annexure – F2
16.4	Protection Relays for 11kV Outgoing panel	
16.4.1	Relay 1	3-phase Overcurrent and Earthfault protection with IDMT, Definite time and instantaneous characteristics

		User Configurable 12 DIs and 6 DOs (minimum)
16.4.2	SLD	Refer annexure – F3
16.5	Protection Relays for 11kV Station Transformer panel	
16.5.1	Relay 1	3-phase Overcurrent and Earthfault protection with IDMT, Definite time and instantaneous characteristics
		User Configurable 12 DIs and 6 DOs (minimum)
16.5.2	SLD	Refer annexure – F4
16.6	Protection Relays for 11kV Capacitor panel	
16.6.1	Relay 1	3-phase Overcurrent and Earthfault protection with IDMT, Definite time and instantaneous characteristics
		Undervoltage and Overvoltage protection
		PT supervision (fuse failure monitoring)
		Timer for on time delay (minimum 600 seconds)
16.6.2	Relay 2	Neutral unbalance relay (current based)
16.6.3	User Configurable DIs and DOs	Relay-1 & 2 should have a total of 16 DIs and 10 DOs (minimum). Each relay should have atleast 2 DIs and 4 DOs
16.6.4	Note	Combining of functions of Relay-1 and Relay-2 in single relay is not acceptable.
16.6.5	SLD	Refer annexure – F5.
16.7	Protection Relays for 33kV Incomer	
16.7.1	Relay 1 ( If Distance protection is considered as primary protection)	Distance Protection
		Sync check function
		PT supervision
	Relay 1 (If Line differential protection is considered as primary protection)	Power swing blocking
		Line differential protection
		Software based CT ratio correction
		Dedicated port for communication with remote end relay through optical fibre. This port should be in addition to PC interface and SCADA interface ports.

	Selection of Relay 1	Selection of Relay-1 (primary protection) will depend on site requirements. Hence bid shall contain prices of Incomer panel - <ul style="list-style-type: none"> <li>a. With Distance protection as primary protection</li> <li>b. With Line differential protection as primary protection.</li> </ul>
16.7.2	Relay 2	3-phase Directional Overcurrent and Earthfault protection with IDMT, Definite time and instantaneous characteristics. <ul style="list-style-type: none"> <li>Sync check function, if not provided in relay 1.</li> <li>Circuit Breaker failure protection</li> <li>PT supervision, if not provided in relay 1</li> </ul>
16.7.3	User Configurable DIs and DOs	Relay-1 & 2 should have a total of 16 DIs and 12 DOs (minimum). Each relay should have atleast 2 DIs and 6 DOs
16.7.4	Note	Combining functions of Relay-1 and Relay-2 in single relay is not acceptable.
16.7.5	SLD	Refer annexure – F6
16.8	Protection Relays for 33kV Transformer Feeder Panel	
16.8.1	Relay 1	Biased differential protection <ul style="list-style-type: none"> <li>REF protection</li> <li>Software based ratio and vector correction feature (without ICT)</li> <li>H2 and H5 harmonic restraint</li> </ul>
16.8.2	Relay 2	3-phase Overcurrent and Earthfault protection with IDMT, Definite time and instantaneous characteristics <ul style="list-style-type: none"> <li>Circuit Breaker failure protection</li> </ul>
16.8.3	User Configurable DIs and DOs	Relay-1 & 2 should have a total of 16 DIs and 12 DOs (minimum). Each relay should have atleast 2 DIs and 6 DOs.
16.8.4	Note	Combining functions of Relay-1 and Relay-2 in single

		relay is not acceptable.
16.8.5	SLD	Refer annexure – F7
16.9	Protection Relays for 33kV Buscoupler Panel	
16.9.1	Relay 1	3-phase Overcurrent and earthfault protection with IDMT, Definite time and instantaneous characteristics.
		Sync check function
		Circuit Breaker failure protection
		PT supervision (fuse failure monitoring) for Bus PT-1
		User Configurable 16 DIs and 8 DOs (minimum)
16.9.2	Relay 2	PT supervision (fuse failure monitoring) for Bus PT-2. May be provided as integral feature of relay-1.
16.9.3	SLD	Refer annexure – F8
16.10	Protection Relays for 33kV Outgoing Panel (For Installation at KCC Consumer Premises)	
16.10.1	Relay 1	3-phase Overcurrent and Earthfault protection with IDMT, Definite time and instantaneous characteristics
		Circuit Breaker failure protection
		User Configurable 12 DIs and 6 DOs (minimum)
16.10.2	SLD	Refer annexure – F9
16.11	Protection Relays for 33kV Incomer from 66/33kV Autotransformer	
16.11.1	Relay 1	3-phase Overcurrent and Earthfault protection with IDMT, Definite time and instantaneous characteristics
		Sync check function
		Undervoltage and overvoltage protection
		Circuit Breaker failure protection
		PT supervision (fuse failure monitoring)
16.11.2	Relay 2	High Impedance Restricted Earth fault protection
16.11.3	User Configurable DIs and DOs	Relay-1 & 2 should have a total of 16 DIs and 12 DOs (minimum). Each relay should have atleast 2 DIs and 6 DOs



16.11.4	Note	Combining functions of Relay-1 and Relay-2 in single relay is not acceptable
16.11.5	SLD	Refer annexure – F10
16.12	Protection Relays for 33kV Outgoing from 66/33kV Autotransformer	
16.12.1	Relay 1 (Distance protection is considered as primary protection)	Distance Protection
		PT supervision
		Power swing blocking
	Relay 1 (Line differential protection is considered as primary protection)	Line differential protection
		Software based CT ratio correction
		Dedicated port for communication with remote end relay through optical fibre. This port should be in addition to PC interface and SCADA interface ports.
	Selection of Relay-1	Selection of primary protection will depend on site requirements. Hence bid shall contain prices of Incomer panel – <ul style="list-style-type: none"> <li>a. With Distance protection as primary protection</li> <li>b. With Line differential protection as primary protection.</li> </ul>
16.12.2	Relay 2	3-phase Overcurrent and Earthfault protection with IDMT, Definite time and instantaneous characteristics.
		Circuit Breaker failure protection
16.12.3	User Configurable DIs and DOs	Relay-1 & 2 should have a total of 16 DIs and 12 DOs (minimum). Each relay should have atleast 2 DIs and 6 DOs
16.12.4	Note	Combining functions of Relay-1 and Relay-2 in single relay is not acceptable.
16.12.5	SLD	Refer annexure – F11
16.13	Protection Relays for 33kV Buscoupler for Switchboard of 66/33kV Autotransformer	
16.13.1	Relay 1	3-phase Overcurrent and earthfault protection with IDMT, Definite time and instantaneous characteristics.

		Sync check function
		Circuit Breaker failure protection
		PT supervision (fuse failure monitoring) for Bus PT-1
		User Configurable 16 DIs and 8 DOs (minimum)
16.13.2	Relay 2	PT supervision (fuse failure monitoring) for Bus PT-2. May be provided as integral feature of relay-1.
16.13.3	SLD	Refer annexure – F12
16.14	Protection Relays – SCADA Interfacing	
16.14.1	Configuration and wiring of DIs in Protection Relays (All panels) for routing status signals to SCADA	DI-1 – TC Unhealthy DI-2 – CB Autotrip (contact from lockout relay) DI-3 – CB Open DI-4 – CB Close DI-5 – CB in service DI-6 – CB in test DI-7 – Spring Charged DI-8 – L/R switch in local DI-9 – AC fail DI-10 – Adjacent Panel DC Fail/DC MCB Trip DI-11 – Adjacent Panel Protection Relay fail DI-12 – PT MCB trip (metering and protection, for incomer and capacitor panel only) Sequence of DIs should be strictly as mentioned above. Change in sequence of DIs will not be acceptable.
16.14.2	Configuration and wiring of DOs in Protection relays (all panels) for execution of SCADA commands through SCADA interface port (refer clause 16.1.5).	DO-1 – CB Open DO-2 – CB close Sequence of DOs should be strictly as mentioned above. Change in sequence of DOs will not be acceptable.
16.14.3	Looping of numerical relays	All relays in the switchboard have to be looped to form a common bus for interfacing with SCADA.
16.14.4	Spare DIs and DOs	Should be wired upto terminal block for future use.

16.15	Transformer Monitoring cum AVR Relay	
16.15.1	Features	As per annexure –B
16.15.2	Requirement	To be provided in 33KV Transformer panel only
16.16	Auxiliary Relays – General Features	
16.16.1	Relays for auxiliary, supervision, trip and timer relays	Static or electromechanical type.
16.16.2	Reset mechanism for auxiliary relays	Self reset contacts except for lock-out relays.
16.16.3	Reset mechanism for lockout relays	Electrical reset type for 11kV outgoing panels only. Hand reset type for all other panels.
16.16.4	Operation indicators	With hand-reset operation indicators (flags) or LEDs with pushbuttons for resetting.
16.17	Auxiliary relays – Requirement	
16.17.1	Anti pumping (94), lockout (86) and trip circuit supervision (74) relays	For each breaker
16.17.2	PT selection relays	To be provided for selection between Bus PT and Line PT of respective sections.
16.17.3	Switchgear with two incomer & bus coupler	Lockout relay (86) contact of each incoming breakers to be wired in series in closing circuit of other incoming breakers & bus coupler.
16.17.4	Auxiliary Relays, contact multiplication relays etc.	To effect interlocks and to exchange signals of status & control
16.17.5	Transformer trouble relays (For 33kV Transformer feeder panel only)	Auxiliary relays with indicating flags (contactors will not be accepted) should be provided for the following trip and alarm commands – <ul style="list-style-type: none"> <li>a. Buchholz trip</li> <li>b. OSR trip</li> <li>c. PRV trip</li> <li>d. SPR trip</li> <li>e. WTI Trip</li> </ul>

		<ul style="list-style-type: none"> <li>f. OTI Trip</li> <li>g. Buchholz Alarm</li> <li>h. Low oil level alarm</li> <li>i. OTI Alarm</li> <li>j. WTI Alarm.</li> </ul>
16.18	General Requirements for all relays/contactors	Auxiliary supply will 50/220VDC based on requirement. All relays/contactors shall be suitable for continuous operation at 15% overvoltage.

**17.0 SPACE HEATERS**

17.1	Type	Thermostat controlled with switch for isolation
17.2	Location	In Breaker & HV cable compartment, mounted on an insulator. Heater position in cable compartment should be easily accessible after cable termination. Heater position in breaker chamber shall be accessible with breaker racked-in.

**18.0 SOCKETS, SWITCHES & ILLUMINATION LAMPS**

18.1	Illumination lamp with switch	For LV & cable chamber
18.2	Universal type (5/15 A) Socket with Switch	In LV chamber

**19.0 NAMEPLATES AND MARKING**

19.1	Nameplates	To be provided as per the following description
19.1.1	Equipment Nameplates	<ul style="list-style-type: none"> <li>a. All equipment mounted on front side as well as equipment mounted inside the panels shall be provided with individual name plates with equipment designation engraved.</li> <li>b. All front mounted equipment shall be also provided at the rear with individual name plates engraved with tag numbers corresponding to the one shown in the panel internal wiring to facilitate easy tracing of the wiring.</li> </ul>

19.1.2	Feeder Nameplates	<p>a. Large and bold name plate carrying the feeder identification/ numbers shall be provided on the top of each panel on front as well as rear side. On rear side, nameplate should be provided on frame.</p> <p>b. Rear bottom of each panel shall have a nameplate clearly indicating the following: Customer Name – BSES Delhi; PO No. &amp; date; Drawing Reference No. etc.</p>
19.1.3	Rating Plate	<p>Following details are to be provided on Panel and CB rating plate:</p> <p>a. Customer Name – BSES Delhi</p> <p>b. PO No. &amp; Date – As per respective PO.</p>
19.1.4	Material	Non-rusting metal or 3 ply lamicaid. Nameplates shall be black with white engraving lettering. Stickers are not allowed.
19.1.5	Fixing	All nameplates/rating plates shall be riveted to the panels at all four corners. Bolting/screwing is not acceptable.
19.2	Markings	Each switch shall bear clear inscription identifying its function. Similar inscription shall also be provided on each device whose function is not other wise identified. If any switch or device does not bear this inscription separate nameplate giving its function shall be provided for it. Switch shall also have clear inscription for each position indicating e.g. Trip-Neutral close, ON-OFF etc.

**20.0 SURFACE TREATMENT & PAINTING**

20.1	Surface Treatment	Sand blasting or by seven tank process.
20.2	Paint type	Powder coated. Pure polyester base grade-A structure finish.
20.3	Paint shade	RAL 7032 for external & internal surface
20.4	Paint thickness	Minimum 50 microns

**21.0 APPROVED MAKES OF COMPONENTS**

21.1	Numerical Relays	R series of ABB, Siprotec series of Siemens, Micom series of Schneider/Alstom. Numerical relays used in complete switchboard should be of same make. Use of two different makes of relays in a switchboard is not acceptable.
21.2	Transformer	A-eberle/Easun-MR

	monitoring cum AVR relay	
21.3	Electromechanical Relays	Alstom/Schneider/Siemens/ABB/ER
21.4	Miniature Relays	ABB/Jyoti/Omran
21.5	Contactors	ABB/Siemens/Telemecanique
21.6	Instrument transformers	ECS/ Pragati/ Gemini/Schneider/CGL/Kappa/Narayan power tech
21.7	MCBs	Siemens/Schneider/Legrand/ABB
21.8	Control switches	Switron/Kaycee
21.9	Test terminal blocks	IMP/Schneider/Alstom
21.10	Terminal blocks	Elmex/Connectwell
21.11	Indicating lamps	Siemens/ Teknic/ Binay
21.12	Surge Suppressors	Oblum/Tyco
21.13	Meters	Rishabh/Conzerv

**22.0 INSPECTION AND TESTING**

22.1	Type Tests	The product must be of type tested quality as per applicable Indian standards / IEC
22.1.1	Type test report validity period	Last five years from date of bid submission. Bidder with type test report more than 5 years old needs to re-conduct the tests without any commercial implication to BSES
22.1.2	Pressure relief device operation	Test certificate for panel to be submitted
22.2	Acceptance & Routine tests	As per the specification and relevant standards. Charges for these tests shall be deemed to be included in the equipment price. In addition to these tests, following tests have to be carried out as acceptance tests -
22.2.1	Primary injection test	To be carried out on panels selected for testing
22.2.1	Temperature rise test	One panel per Purchase order (PO with minimum 10 panels) without any commercial implication to BSES. In-house testing is

		acceptable.
22.2.2	Paint Thickness/ Peel off	To be carried out on panels selected for testing
22.3	Inspection	The purchaser/owner reserves the right to witness all the acceptance/routine tests during inspection.
22.4	Notice to purchaser for conducting type tests	At least three weeks in advance
22.5	Test reports before dispatch for approval	Six (6) copies of acceptance and routine test reports

**23.0 DRAWINGS & DATA SUBMISSION**

23.1	Submissions along with the bid	
23.1.1	Duly filled GTP and copy of specification	2 copies + 1 soft copy
23.1.2	GA drawing and Cross sectional drawings	2 copies + 1 soft copy
23.1.3	Panel wise Bill of Material	2 copies + 1 soft copy
23.1.4	Catalogues and Manuals for all major equipments	1 copy
23.1.5	Type test report for type, size and rating of equipment offered.	2 copies + 1 soft copy
23.1.6	Deviations from this specification	To be provided in writing.
23.1.7	Reference List of customers	For last five years with units of similar design and rating
23.1.8	Recommended spares and consumables	If any spares suggested (in addition to spares list in Annexure –E) for five years of operation alongwith price list
23.1.9	Manufacturer's quality assurance plan	To be provided
23.2	Submissions after award of contract	
23.2.1	Duly filled GTP	1 copy + soft copy
23.2.2	Panel wise Bill of Material	1 copy + soft copy
23.2.3	GA and Cross sectional drawings	1 copy + soft copy

23.2.4	Single line diagrams	1 copy + soft copy
23.2.5	Schematic drawings	1 copy + soft copy
23.2.6	Calculations for sizing of various equipment	1 copy + soft copy
23.2.7	Catalogues and Manuals for all equipments	1 copy + soft copy
23.2.8	Foundation Plan	1 copy + soft copy
23.2.9	Calculations for sizing of various components	1 copy + soft copy
23.2.10	Type test report for type, size and rating of equipment offered.	1 copy + soft copy
23.1.11	Manufacturer's quality assurance plan	1 copy + soft copy
23.2.12	Deviations from this specification	Approved in writing before award of contract.
23.3	Submissions prior to dispatch	
23.3.1	Inspection and test reports/ compliance report by manufacturer	1 copy + 1 soft copy
23.3.2	Test certificates for all bought out items	1 copy + 1 soft copy
23.3.3	GTP and As Built drawings consisting of GA, Cross sectional, SLD and schematic drawings	3 copies + 1 soft copy. Panels supplied without as built drawing will be treated as short supply.
23.3.4	Catalogues and Manuals for all equipments / relays	3 copies + 1 soft copy
23.3.5	Field quality plan / Installation, erection and commissioning manual for switchgear	3 copies + 1 soft copy
23.4	Drawing and document sizes	Standard size paper A3 and A4

**24.0 PACKING**

24.1	Packing Protection	Against corrosion, dampness, heavy rains, breakage and vibration. During transportation/ transit and storage, panels may be subjected to outdoor conditions. Hence, packing of each panel shall be
------	--------------------	--



		weatherproof ..
24.2	Packing for accessories and spares	Robust wooden non returnable packing case with all the above protection & identification Label
24.3	Packing Identification Label to be provided on each packing case with the following details	
24.3.1	Individual serial number	
24.3.2	Purchaser's name	
24.3.3	PO number (along with SAP item code, if any) & date	
24.3.4	Equipment Tag no. (if any)	
24.3.5	Destination	
24.3.6	Project Details	
24.3.7	Manufacturer / Supplier's name	
24.3.8	Address of Manufacturer / Supplier / it's agent	
24.3.9	Description and Quantity	
24.3.10	Country of origin	
24.3.11	Month & year of Manufacturing	
24.3.12	Case measurements	
24.3.13	Gross and net weights in kilograms	
24.3.14	All necessary slinging and stacking instructions	

**25.0 SHIPPING**

25.0	Shipping	The bidder shall ascertain at an early date and definitely before the commencement of manufacture, any transport limitations such as weights, dimensions, road culverts, Overhead lines, free access etc. from the Manufacturing plant to the project site. Bidder shall furnish the confirmation that the proposed Packages can be safely transported, as normal or oversize packages, up to the site. Any modifications required in the infrastructure and cost thereof in this connection shall be brought to the notice of the Purchaser.
------	----------	---

		The seller shall be responsible for all transit damage due to improper packing.
--	--	---

**26.0 HANDLING AND STORAGE**

26.0	Handling and Storage	Manufacturer instruction shall be followed. Detail handling & storage instruction sheet / manual needs to be furnished before commencement of supply.
------	----------------------	---

**27.0 QUALITY ASSURANCE**

27.1	Vendor quality plan	To be submitted for purchaser approval
27.2	Inspection points	To be mutually identified & agreed in quality plan

**28.0 PROGRESS REPORTING**

28.1	Outline Document	To be submitted for purchaser approval for outline of production, inspection, testing, inspection, packing, dispatch, documentation programme
28.2	Detailed Progress report	To be submitted to Purchaser once a month containing: <ul style="list-style-type: none"> <li>a. Progress on material procurement</li> <li>b. Progress on fabrication (As applicable)</li> <li>c. Progress on assembly (As applicable)</li> <li>d. Progress on internal stage inspection</li> <li>e. Reason for any delay in total programme</li> <li>f. Details of test failures if any in manufacturing stages</li> <li>g. Progress on final box up</li> <li>h. Constraints / Forward path</li> </ul>

**29.0 DEVIATION**

29.0	Deviation	Deviations from this Specification shall be stated in writing with the tender by reference to the Specification clause/GTP/Drawing and a description of the alternative offer. In absence of such a
------	-----------	---



SP-HTSWG-01-R1

TECHNICAL SPECIFICATION FOR HT INDOOR SWITCHGEAR (33 & 11kV)

statement, it will be assumed that the bidder complies fully with this specification.

**30.0 ACCESSORIES & TOOLS**

30.1	Type and Quantity	Bidder to indicate
30.2	Special tools & tackles required for erection, testing, commissioning and maintenance of the switchboard	The cost of these items shall be indicated separately in the bid as optional.
30.3	Suitable handling truck / trolley for lifting and moving the circuit breaker	To be supplied. (Two trolleys for each type/rating of breaker)

**ANNEXURE – A - SCOPE OF SUPPLY**

Scope of supply should include the following –

- 1.1 Design, manufacture, assembly, testing at manufacturer's works, properly packed for transport, supply and FOR delivery at site of following 11kV / 33kV Switchgears as per enclosed specification and single line diagram.

Sr. No.	Substation name	Name / Tag No of switchboard	Type of feeders	Qty
			Incomer	
			Bus coupler	
			Bus riser panel	
			Capacitor	
			Transformer	
			Outgoing	

- 1.2 Base channel frame of the switchgears with hardware.
- 1.3 Two trolleys for breaker of each size are to be included in offer per switchboard.
- 1.4 Programming software and communication cord for numerical relays.
- 1.5 Unit price of 33kV Incomer with Distance relay as primary protection and 33kV Incomer with Line differential relay as primary protection should be mentioned separately in the bid. Primary protection to be used in Incomer panel will be finalized based on site requirement.
- 1.6 Unit price of Bus PT should be indicated separately in the bid to enable addition/deletion based on site requirement.
- 1.7 Bidder should indicate price of one set of special tools and tackles (if any) required for maintenance of switchgear and its components.
- 1.8 Bidder should indicate price of each spare as per Annexure E.
- 1.9 All relevant drawings, data and instruction manuals

**ANNEXURE – B – TRANSFORMER MONITORING CUM AVR RELAY**

1	General features	
1.1	Technology and Functionality	Microprocessor based with provision for multifunction control and monitoring.
1.2	Mounting	Flush Mounting
1.3	Architecture	Hardware and software architecture shall be modular and disconnectable to adapt the control unit to the required level of complexity as per the application.
1.4	Programming and configuration	AVR shall utilize a user friendly setting and operating multi-lingual software in windows environment with menus and icons for fast access to the data required.
1.5	User Machine Interface	UMI with an alphanumeric key pad and graphical LCD display with backlight indicating measurement values and operating messages. Capability to access and change all settings and parameters.
1.6	PC Interface port	Front port (preferably serial) for configuration using PC. Cost of licensed software and communication cord, required for programming of offered protection relays using PC, shall be mentioned separately in the bid.
1.7	SCADA Interface port	RS485 rear port for interfacing with SCADA on IEC 103 protocol. If relays have any other rear port, hardware/software required to achieve the above said compatibility will be in supplier's scope.
1.8	Self diagnosis	Shall be able to detect internal failures. A watchdog relay with changeover contact shall provide information about the failure.
1.9	Auxiliary supply	220VDC or 48VDC
2	Inputs and Outputs	
2.1	CT Input	1/5A selectable through programming
2.2	PT Input	110VAC
2.3	Binary Inputs	Sixteen programmable binary inputs should be

		provided
2.4	Analog Inputs (4-20mA)	One input to be provided
2.5	PT-100 direct input	Two inputs to be provided
2.6	Direct Resistance Input	For tap position indication (18 steps)
2.7	Binary Outputs	Ten programmable binary outputs should be provided
3	Control	
3.1	Control Tasks	Ability to implement control functions through programmable logics
3.2	Voltage setting	Programmable Voltage set point
3.3	Voltage Regulation	Raise/Lower tap position to maintain the preset value of voltage.
3.4	Voltage Regulation modes	Automatic and Manual
3.5	Operation Modes	Local and Remote
3.6	Fan and Pump control	To be provided
3.7	Transformer Paralleling	Capability to parallel transformers whose AVR's are interconnected via a communication network.
4	SCADA Interfacing	
4.1	Configuration of DIs for routing alarm/trip signals to SCADA.	DI-1 – Buchholz trip DI-2 – OSR Trip DI-3 – PRV trip DI-4 – SPR trip DI-5 – OTI trip DI-6 – WTI trip DI-7 – Buchholz alarm DI-8 – Oil Level low alarm (MOG alarm) DI-9 – WTI alarm DI-10 – OTI alarm DI-11 – Tap changer trouble/stuck/out of step DI-12 – Tap changer motor supply fail DI-13 – Tap changer in local control All signals from DI-1 to DI-10 are to be wired up from transformer trouble auxiliary relays.
4.2	Configuration of DOs for	DO-1 – Tap raise

	executing commands from SCADA through interface port/CRP	DO-2 – Tap lower DO-3 – Fan group 1 control DO-4 – Fan group 2 control
4.3	Spare DIs and DOs	To be wired upto the terminal block.
5	Measurement, Event Recording and Monitoring	
5.1	Measured Quantities (optional)	Voltage, Current, Active Power, Reactive Power, Apparent Power, Power factor, frequency
5.2	Event Recording	Facility for recording parameters during various events such as tap change, change in binary input status etc.
5.3	Monitoring	Capability to monitor important transformer parameters such as Oil temperature, Winding Temperature etc and give indication/alarm when the value of a particular parameter exceeds the preset value.

**ANNEXURE – C - TECHNICAL PARTICULARS (DATA BY PURCHASER)**

1.0	SWITCHGEAR		
1.1	Type	Metal clad, air insulated with VCB type circuit breaker	
1.2	Service	Indoor	
1.3	Mounting	Free standing, floor mounted	
1.4	System Voltage	11 KV	33kV
1.5	Voltage variation	+/- 10%	
1.6	Frequency	50 Hz +/- 5%	
1.7	Phase	3	
1.8	Rated voltage	12 KV	36 kV
1.9	Rated current	As per SLDs given in Annexure-F	
1.10	Short time rating for 3 sec.	25kA	25kA
1.11	Internal arc classification and rating		
1.11.1	Classification	IAC – A - FLR	IAC – A - FLR
1.11.2	Rating	25kA for 0.1 sec without any deflectors/gas ducts	25kA for 1 second.
1.12	Insulation level (PF rms / Impulse peak)	28 kV / 75 kV	70 kV/ 170 kV
1.13	System ground	Effectively earthed	Effectively earthed
1.14	Enclosure degree of protection	IP – 4X for high voltage compartment and IP – 5X for metering and protection compartment	
1.15	Bus bar - Main	Rating as per SLDs given in annexure - F, Short time rating as per clause 1.10.	
1.15.1	Material	Tinned Electrolytic copper	
1.15.2	Bus bar sleeve	Sleeved with shrouds on joints. Tape on joints is not acceptable.	
1.15.3	Bus identification	Colour coded	
1.15.4	Temperature rise	40 deg. C for conventional joints. 55 deg. C for silver plated joints	



1.16	Auxiliary bus bar	Electrolytic grade tinned copper	
1.17	Auxiliary DC Supply	220 V DC / 48 V DC	
1.18	Auxiliary AC supply	240 V AC 50 Hz	
1.19	Hardware	Stainless steel.	
1.20	Earth bus	Aluminium	
1.21	Bus duct entry	From top (where ever applicable)	
1.22	Power cable entry	From bottom and rear	
1.23	Control cable entry	From bottom and front (i.e breaker compartment)	
2.0	CIRCUIT BREAKER		
2.1	Voltage class, insulation level, short time rating	As specified for switchgear	
2.2	Rated current	As per SLDs given in annexure - F. Use of two breakers in parallel to meet the required current rating shall not be acceptable.	
2.3	Duty cycle	O – 0.3 sec – CO - 3min - CO	
2.4	Short circuit rating		
2.4.1	A.C sym. breaking current	25kA	25kA
2.4.2	Short circuit making current	62.5kA	62.5kA
2.5	Operation time		
2.5.1	Break time	Not more than 4 cycles	
2.5.2	Make time	Not more than 5 cycles	
2.6	Range of Auxiliary Voltage		
2.6.1	Closing	85% - 110%	
2.6.2	Tripping	70% - 110%	
2.6.3	Spring Charging	85% - 110%	
2.7	No. of spare aux. Contacts of Breaker, for Owner's use.	Minimum 6 NO + 6 NC	
2.8	No. of spare contacts of Service and Test position limit switch	2 NO	

3.0	CURRENT TRANSFORMERS	
3.1	Voltage class, insulation level and short time rating	As specified for switchgear
3.2	Type	Cast resin, window / bar primary type
3.3	Class of insulation	Class E or better
3.4	Ratio	As per SLDs given in annexure - F
3.5	Number of secondaries	As per SLDs given in annexure - F
3.6	Accuracy class	
3.6.1	Protection core	5P20
3.6.2	Protection (Diff. / REF)	PS
3.6.3	Metering	0.2s
3.6.4	Core balance CT	PS
3.7	Burden (VA)	Adequate for the protection & instruments offered
3.8	Excitation current of PS Class CTs	30 mA at $V_k/4$
3.9	Primary operating current sensitivity of CBCTs	5A
4.0	VOLTAGE TRANSFORMERS	
4.1	Type	Cast resin, draw out type, single phase units
4.2	Rated Voltage	
4.2.1	Primary	11000/sq.rt.3      33000/sq.rt.3
4.2.2	Secondary	110V/sq.rt.3
4.3	No. of phases	3
4.4	No. of secondary windings	2
4.5	Method of connection	Star/Star
4.6	Rated voltage factor	1.2 continuous, 1.9 for 30 seconds
4.7	Class of insulation	Class E or better
4.8	Accuracy class	
4.8.1	Protection	3P
4.8.2	Metering	0.2

4.9	Primary and secondary fuses	HRC current limiting type, Primary fuse replacement shall be possible with VT in withdrawn position	
5.0	HV FUSES		
5.1	Voltage class	12kV	36kV
5.2	Rupturing capacity	50kA	
5.3	Rated current	As per application	
6.0	SURGE ARRESTORS	For 11kV switchgear	For 33kV switchgear
6.1	Rated Voltage	9kV	30kV
6.2	Maximum continuous operating voltage (MCOV)	7.65kV	25kV
6.3	Discharge current	10kA	10kA
6.4	Discharge class	3	3

Note - The auxiliary DC voltage shall be checked on a case to case basis by Purchaser

**ANNEXURE – D - GUARANTEED TECHNICAL PARTICULARS (DATA BY BIDDER)**

Sr. No.	Description	Feeder Panel Type				
		Incomer	Bus Coupler	Outgoing/ Station Trafo	Capacitor	Transformer
1.0	SWITCHGEAR ASSEMBLY					
1.1	Make					
1.2	Type					
1.3	Reference Standard					
1.4	Voltage (Normal/Max.) kV					
1.6	Frequency (Hz)					
1.7	Short Circuit Rating					
1.7.1	Short time current and duration.					
1.8	Internal Arc Classification and rating ( Refer Annexure –C )					
1.8.1	Classification					
1.8.2	Rating with gas ducts/deflectors					
1.8.3	Rating without gas ducts/deflectors					
1.9	Insulation Level					
1.9.1	Impulse Withstand ( kV peak )					
1.9.2	1 minute 50 Hz. Voltage Withstand ( kV rms )					
2.0	CONSTRUCTION					
2.1	Metal Clad Construction Yes/No					
2.2	Degree of protection :					
2.3	Minimum thickness of sheet metal used ( mm )					
2.4	Draw out feature provide for					
2.4.1	Breaker with Service, Test & Isolated position -Yes/No					
2.4.1	Voltage Transformer :					

Sr. No.	Description	Feeder Panel Type				
		Incomer	Bus Coupler	Outgoing/ Station Trafo	Capacitor	Transformer
	Yes/ No					
2.4.3	Protective relays : Yes/ No					
2.5	Breaker Cubicle					
2.5.1	Cubicle door can be closed with breaker in Test and isolated position : Yes/ No					
2.5.1	Working zone units from floor level (mm )					
2.6	All meters, switches & relays flush mounted type: Yes/No					
2.7	Minimum clear space required					
2.7.1	Front for breaker withdrawal (mm)					
2.7.2	Rear ( mm )					
2.8	Typical Vertical Section					
2.8.1	Overall Dimensions					
a.	Length ( mm )					
b.	Breadth ( mm )					
c.	Height ( mm )					
2.8.2	Weight ( kg )					
3.0	BUS BAR					
3.1	Make					
3.2	Material & Grade					
3.3	Reference Standard					
3.4	Cross Sectional area (mm <sup>2</sup> )					
3.5	Bus connection (Joints)					
3.5.1	Silver Plated Yes/No					
3.5.2	Conventional made with anti oxide grease Yes/No					

Sr. No.	Description	Feeder Panel Type				
		Incomer	Bus Coupler	Outgoing/ Station Trafo	Capacitor	Transformer
3.6	Rated Continuous Current Amps					
3.7	Maximum temperature rise at rated continuous current °C					
3.8	Short time current and duration (KA and secs)					
3.9	D.C. Resistance at 85°C ( $\Omega/m/\varnothing$ )					
3.10	Minimum clearance of bus bar and connection					
3.10.1	Phase to phase ( mm )					
3.10.2	Phase to earth ( mm )					
3.11	Bus Bar provided with					
3.11.1	Insulation Sleeve					
3.11.2	Phase barriers					
3.11.3	Cast Resin shrouds for joints					
3.12	Bus bar support spacing (mm)					
3.13	Bus support insulators					
3.13.1	Make					
3.13.2	Type					
3.13.3	Reference Standard					
3.13.4	Voltage Class ( kV )					
3.13.5	Min. creepage distance (mm)					
3.13.6	Cantilever strength Kg/mm <sup>2</sup>					
3.13.7	Net Weight ( kg )					
4.0	CIRCUIT BREAKER					
4.1	Make					
4.2	Type					
4.3	Reference Standard					
4.4	Rated Voltage					

Sr. No.	Description	Feeder Panel Type				
		Incomer	Bus Coupler	Outgoing/ Station Trafo	Capacitor	Transformer
4.5	Rated Frequency					
4.6	Rated Current					
4.6.1	Rated Current and its reference ambient temperature.					
4.6.2	Continuous current to limit the maximum temperature rise to 55 Deg C for silver plated connections and 40 Deg C for conventional connections.					
4.7	Rated operating Duty					
4.8	Symmetrical Breaking capacity at rated voltage & operating duty KA rms					
4.9	Rated making Current (KAp)					
4.10	Short time current and duration ( KA and secs)					
4.11	Insulation Level					
4.11.1	Impulse voltage withstand on 1/50 full wave					
4.11.2	1 minute 50 Hz. Voltage withstand					
4.12	Maximum over voltage factor when switching off					
4.12.1	Un loaded transformer					
4.12.2	Loaded transformer					
4.12.3	Un loaded cables					
4.12.4	Capacitors					
4.12.5	Motors					
4.13	Opening time maximum No load					

Sr. No.	Description	Feeder Panel Type				
		Incomer	Bus Coupler	Outgoing/ Station Trafo	Capacitor	Transformer
	condition ( ms )					
4.14	Number of permissible breaker operations under vacuum loss					
4.15	At 100% Breaking capacity					
4.15.1	Opening time-Max. ( ms)					
4.15.2	Arcing time-Max ( ms)					
4.15.3	Total break time ( ms)					
a.	Make time (Max) ( ms)					
b.	Total closing time ( ms)					
4.17	Total length of contact travel ( mm)					
4.18	No. of breaker operations permissible without requiring inspection, replacement of contacts and other main parts.					
4.18.1	At 100% rated current					
4.18.2	At 100% rated breaking current					
4.19	Type of contacts					
4.20	Material of contact					
4.21	Minimum clearance in air (mm) from live part					
4.21.1	Between phases					
4.21.2	Between live parts and ground					
4.22	Type of arc control device provided					
4.23	Operating mechanism-closing					
4.23.1	Type					
4.23.2	No. of breaker operations stored					
4.23.3	Trip free or fixed trip					
4.23.4	Anti pumping features provided					



Sr. No.	Description	Feeder Panel Type				
		Incomer	Bus Coupler	Outgoing/ Station Trafo	Capacitor	Transformer
4.24	Operating mechanism-tripping					
4.24.1	Type					
4.24.2	No. of breaker operations stored					
4.24.3	Trip free or fixed trip ( V )					
4.24.4	Anti pumping features provided ( % )					
4.25	Spring Charging motor					
4.25.1	Rating ( kW )					
4.25.2	Make					
4.25.3	Voltage and permissible variation ( % )					
4.26	Closing coil					
4.26.1	Voltage ( V )					
4.26.2	Permissible voltage variation ( % )					
4.26.3	Closing current at rated voltage ( A )					
4.26.4	Power at rated voltage ( W )					
4.27	Tripping Coil					
4.27.1	Voltage					
4.27.2	Permissible voltage variation ( % )					
4.27.3	Tripping Current at rated Voltage ( A )					
4.27.4	Power at rated voltage ( W )					
4.28	Breaker/Accessories Accessories such as control switch indication lamps etc. furnished as specified: (Please attach separate sheet giving details of all accessories,					

Sr. No.	Description	Feeder Panel Type				
		Incomer	Bus Coupler	Outgoing/ Station Trafo	Capacitor	Transformer
	inter locks and safety shutters)					
4.28.1	Mechanical Safety Interlock					
4.28.2	Automatic Safety Interlock					
4.28.3	Operational Interlock					
4.28.4	Emergency manual trip					
4.28.5	Operation counter					
4.28.6	Change/discharge indicator					
4.28.7	Manual spring charging facility					
4.28.8	Auxiliary switch with 6NO+ 6 NC for Owner's use.					
4.28.9	Contacts wear indicator					
4.29	Auxiliary Switch					
4.29.1	Switch contacts type					
4.29.2	Contacts rating at					
a.	Make & Continuous ( Amps )					
b.	Break (Inductive) ( Amps )					
4.30	Net weight of the breaker (Kg)					
4.31	Impact load foundation design (to include dead load plus impact value on opening at maximum interrupting rating) ( kG )					
4.32	On Vacuum loss ( Amps )					
4.32.1	Possible load current breaking ( Amps )					
4.32.2	Possible fault current breaking ( Amps )					
4.33	Overall Dimensions					
4.33.1	Length ( mm )					

Sr. No.	Description	Feeder Panel Type				
		Incomer	Bus Coupler	Outgoing/ Station Trafo	Capacitor	Transformer
4.33.2	Breadth ( mm )					
4.33.3	Height ( mm )					
4.34	Type test report on identical breaker furnished					
5.0	CONTROL & INDICATIONS					
5.1	Push Buttons Make					
5.1.1	Type & Catalog No.					
5.1.2	Contact rating at 110V / 220V D,C,					
5.1.3	Make & continuous (Amps )					
5.2	LED lamps: Make :					
5.2.1	Type & Catalog No.					
5.2.2	Watts/Voltage					
5.2.3	Lamps & Lens replaceable from front with glass cover					
5.3	Selector switch: Make					
5.3.1	Type & Catalog No.					
5.3.2	Contact rating.					
5.3.3	Make & continuous (Amps)					
5.3.4	Break (inductive) (Amps)					
6.0	CURRENT TRANSFORMER					
6.1	Make					
6.2	Type & voltage level					
6.3	Reference standard					
6.4	C.T. ratio as specified					

Sr. No.	Description	Feeder Panel Type				
		Incomer	Bus Coupler	Outgoing/ Station Trafo	Capacitor	Transformer
6.5	Short circuit withstand Short time current for 1 Sec. - kA rms Dynamic current - kA peak					
6.6	Class of insulation					
6.7	Temperature rise					
6.8	Basic insulation level					
6.9	For metering & protection					
6.9.1	CT Ratio					
6.9.2	Class of accuracy					
6.9.3	Rated burden VA					
6.9.4	Knee point voltage V					
6.9.5	Excitation current at $V_k/4$					
6.9.6	Rated saturating current Amp					
6.10	For differential protection					
6.10.1	CT Ratio					
6.10.2	Class of accuracy					
6.10.3	Rated burden VA					
6.10.4	Knee point voltage V					
6.10.5	Excitation current at $V_k/4$ Amps					
6.10.6	Rated saturating current Amp					
6.10.7	Secondary resistance ( $\Omega$ )					
6.11	For restricted earth fault protection					
6.11.1	CT Ratio					
6.11.2	Class of accuracy					
6.11.3	Rated burden VA					

Sr. No.	Description	Feeder Panel Type				
		Incomer	Bus Coupler	Outgoing/ Station Trafo	Capacitor	Transformer
6.11.4	Knee point voltage V					
6.11.5	Excitation current at $V_k/4$					
6.11.6	Amps					
6.11.7	Rated saturating current Amp					
6.11.8	Secondary resistance ( $\Omega$ )					
6.12	For stand by earth fault protection					
6.12.1	CT Ratio					
6.12.2	Class of accuracy					
6.12.3	Rated burden VA					
6.12.4	Knee point voltage V					
6.12.5	Excitation current at $V_k/4$ Amps					
6.12.6	Rated saturating current Amp					
6.12.7	Over current rating Continuous % over load (%)					
6.13	For sensitive earth fault protection (CBCT) CT Ratio					
6.13.1	Class of accuracy					
6.13.2	Rated burden VA					
6.13.3	Knee point voltage V					
6.13.4	Excitation current at $V_k/4$ Amps					
6.13.5	Rated saturating current Amp					
6.13.6	Over current rating Continuous % over load (%)					

Sr. No.	Description	Feeder Panel Type				
		Incomer	Bus Coupler	Outgoing/ Station Trafo	Capacitor	Transformer
7.0	POTENTIAL TRANSFORMER					
7.1	Make					
7.2	Type and voltage level					
7.3	Reference Standard					
7.4	Voltage Ratio					
7.5	Accuracy					
7.5.1	Winding-1					
7.5.2	Winding-2					
7.6	Rated Burden ( VA )					
7.6.1	Winding-1					
7.6.2	Winding-2					
7.7	Over voltage factor					
7.7.1	Continuous					
7.7.2	30 seconds					
7.8	Class of Insulation					
7.9	Temperature rise over ambient ( °C )					
7.10	Basic Impulse level ( kV peak )					
7.11	Winding connection					
7.11.1	Primary					
7.11.2	Secondary					
7.12	Fuses					
7.12.1	Continuous rating HV/LV (Amp)					
7.12.2	Symmetrical fault rating HV/LV kA rms					

Sr. No.	Description	Feeder Panel Type				
		Incomer	Bus Coupler	Outgoing/ Station Trafo	Capacitor	Transformer
7.12.3	Make					
7.13	Maximum ratio error at					
7.13.1	90% to 100% of rated voltage and 25% to 100% of rated secondary burden at Unity Power factor.					
7.13.2	90% to 106% of rated voltage and 10% to 50% of rated secondary burden at 0.2 p.f.					
7.14	Maximum phase difference at					
7.14.1	90% to 100% of rated voltage and 25% to 100% of rated secondary burden at unity p.f.					
7.14.2	90% to 106 of rated voltage and 10% to 50% of rated secondary burden at 0.2 p.f.					
7.15	Weight ( kg )					
8.0	RELAYS					
8.1	Manufacturer					
8.2	Model Type					
8.3	Draw out type with built in test facilities. Yes/No					
8.4	Built in test facility . Yes/No					
8.5	Type of mounting					
8.6	Reference standard					
8.7	All relays furnished as per drawing					

Sr. No.	Description	Feeder Panel Type				
		Incomer	Bus Coupler	Outgoing/ Station Trafo	Capacitor	Transformer
	and specification					
8.8	All relevant relay leaflets and catalogue furnished					
8.9	Communication port type					
8.10	Auxiliary supply					
8.11	Measurement and data acquisition feature.					
8.12	Control and supervision					
a	IEC protocol					
b	Open protocol feature					
c	Programming facility					
d	Separate output for individual element					
e	Event recording facility Number of events					
f	Required softwares offered					
8.13	C.T. secondary current					
8.14	Self diagnostic feature					
8.15	Modular design					
8.16	Relay details:-					
8.16.1	Overcurrent					
a	Make					
b	Type					
c	Characteristics available					
d	Range of settings a) Current b) Time					



Sr. No.	Description	Feeder Panel Type				
		Incomer	Bus Coupler	Outgoing/ Station Trafo	Capacitor	Transformer
e	Range of settings a) Current b) Time					
f	Rated burden					
8.16.2	Synchronizing check relay (if applicable) :					
a	Make					
b	Type					
c	Setting range					
8.16.3	Earth fault					
a	Make					
b	Type					
c	Characteristics available					
d	Range of settings a) Current b)Time					
e	Rated burden					
8.16.4	Over current (Directional) if applicable					
a	Make					
b	Type					
c	Characteristics available					
d	Range of settings a) Current b) Time					
e	Rated burden					
8.16.5	Earth fault (Directional) If applicable					
a	Make					

Sr. No.	Description	Feeder Panel Type				
		Incomer	Bus Coupler	Outgoing/ Station Trafo	Capacitor	Transformer
b	Type					
c	Characteristics available					
d	Range of settings a) Current b)Time					
e	Rated burden					
8.16.6	Neutral unbalance relay					
a	Make					
b	Type					
c	Characteristics available					
d	Range of settings Current Time					
e	Rated burden					
8.16.7	Under Voltage Relay					
a	Make					
b	Type					
c	Range of setting					
d	Rated burden					
8.16.8	Over Voltage Relay					
A	Make					
b	Type					
c	Range of setting					
d	Rated burden					
8.16.9	Busbar Differential Relay					
a	Make					
b	Type					
c	High impedance /Low impedance					

Sr. No.	Description	Feeder Panel Type				
		Incomer	Bus Coupler	Outgoing/ Station Trafo	Capacitor	Transformer
d	Facility for CT ratio adjustment possible through software. Yes/No					
e	CT supervision facility available. Yes/No					
8.16.10	Transformer Differential Relay					
a	Make					
b	Type					
c	High impedance /Low impedance					
d	Facility for CT ratio adjustment possible through software. Yes/No					
e	Facility of transformer vector group adjustment through software. Yes/No					
f	Setting range.					
g	Rated burden.					
8.16.11	Restricted earth fault relay					
a	Make					
b	Type					
c	Combined with differential relay. Yes/No					
d	Setting range					
e	Rated burden.					
8.16.12	Standby earth fault relay					
a	Make					
b	Type					
c	Characteristics					

Sr. No.	Description	Feeder Panel Type				
		Incomer	Bus Coupler	Outgoing/ Station Trafo	Capacitor	Transformer
d	Setting range					
e	Rated burden					
8.17	Terminal block for relay testing provided ( Yes / No )					
9.0	METERS					
9.1	Ammeter					
a	Make					
b	Type					
c	Reference standard					
d	Size					
e	Accuracy class					
9.2	Voltmeter					
a	Make					
b	Type					
c	Reference standard					
d	Size					
e	Accuracy class					
10.0	SECONDARY WIRING					
10.1	Type and insulation					
10.2	Voltage grade					
10.3	Conductor material					
10.4	Conductor size (minimum) and insulation wiring					
10.4.1	Potential circuit					
10.4.2	Control & current circuit					
11.0	TERMINAL BLOCK					
11.1	Make					

Sr. No.	Description	Feeder Panel Type				
		Incomer	Bus Coupler	Outgoing/ Station Trafo	Capacitor	Transformer
11.2	Type					
11.3	Catalog No.					
11.4	20% Spare terminals furnished					
12.0	CABLE TERMINATIONS					
12.1	Clearance for power cable termination					
12.2	Removable gland plate					
12.2.1	Material for multi core cable					
12.2.2	Material for single core cable					
12.2.3	Thickness of the plate					
13.0	NAME PLATE					
13.1	Material					
13.2	Thickness					
13.3	Size for					
13.3.1	Breaker cubicle					
13.3.2	Instruments/devices					
14.0	Space Heater/Plug Socket					
14.1	Cubicle Heater					
14.1.1	Thermostat controlled					
14.1.2	Wattage					
14.1.3	Voltage					
14.1.4	Resistance ( ohms )					
14.1.5	Thermostat range					
14.2	Plug Socket					
14.2.1	Type					
14.2.2	Rating					
14.3.	Cubicle heater & plug socket circuit provided with MCBs					

Sr. No.	Description	Feeder Panel Type				
		Incomer	Bus Coupler	Outgoing/ Station Trafo	Capacitor	Transformer
15.0	A.C/D.C Supply					
15.1	Isolating Switches for incoming supply					
15.1.1	A. C. Type & rating					
15.1.2	D.C. Type & rating					
15.2	Isolating Switch at each cubicle					
15.2.1	A. C. Supply-type & rating					
15.2.2	D.C. Supply-type & rating					
16.0	Tropical Protection					
16.1	Any special treatment for tropical protection					
17.0	Painting					
17.1	Finish of Switchgear					
17.1.1	Inside					
17.1.2	Outside					
18.0	No. of Accessories Furnished					
18.1	Breaker lifting & handling trolley					
18.2	Any other					
19.0	TESTS					
19.1	Reference Standard					
19.2	Routine tests to be performed on Switchgear					
19.3	Type Tests certificates submitted					
20.0	Drawing/Data					
20.1	General arrangement for Panel Board					
20.2	Foundation plan					



SP-HTSWG-01-R1

TECHNICAL SPECIFICATION FOR HT INDOOR SWITCHGEAR (33 & 11kV)

Sr. No.	Description	Feeder Panel Type				
		Incomer	Bus Coupler	Outgoing/ Station Trafo	Capacitor	Transformer
20.3	Bill of material					
20.4	Cross Sectional drawing for every type of switchgear (Add sheets if necessary)					

Place :

Signature :

Printed Name :

Designation :

Business Address :

(Including Telex, Telephone & Telefax No.)

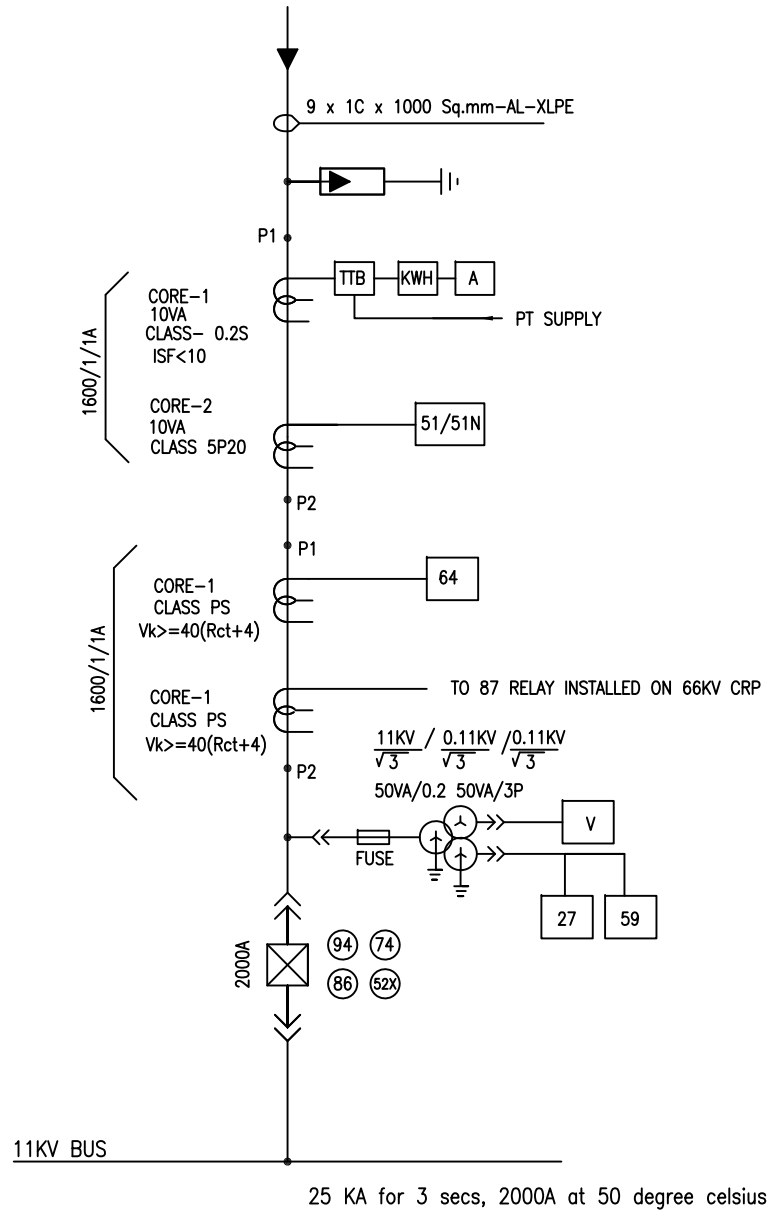
Name & Address of the Principal Officer :

**ANNEXURE – E – SPARES REQUIREMENT**

<b>S No.</b>	<b>Description</b>	<b>Qty</b>
1	Line voltage transformer	3 (1 set)
2	Bus voltage transformer	3 (1 set)
3	Current transformer of each ratio	3 (1 set)
4	Trip Coil	4
5	Closing Coil	4
6	CB Spring charging motor	2
7	Auxiliary switch	2 sets (2 Nos. each type)
8	Bursting disc / pressure relief plate complete	2
9	Numerical relay of each type	1 nos. (each type)
10	Vaccum Interrupter Bottle	1 set (3 nos.) of each rating
11	Breaker contacts for busbar	1 set (3 nos.) of each rating



# ANNEXURE-F1



## LEGEND

SYMBOL	DESCRIPTION
	11KV SF6/VACUUM CT. BKR. DRAWOUT TYPE
	CURRENT TRANSFORMER
	POTENTIAL TRANSFORMER
	SURGE ARRESTOR
	FUSE
	BREAKER AUX CONTACT MULTIPLIER
	TRIP CIRCUIT SUPERVISION RELAY
	ANTI PUMPING RELAY
	HIGH SPEED TRIP RELAY
	VOLTMETER
	AMMETER

SYMBOL	DESCRIPTION
	ENERGY METER
	NEGATIVE PHASE SEQUENCE PROTECTION
	SYNC CHECK
	O/C & E/F RELAY
	UNDER VOLTAGE RELAY
	DIFFERENTIAL RELAY
	DISTANCE RELAY
	OVER VOLTAGE RELAY
	REF RELAY
	DIRECTIONAL O/C & E/F RELAY
	TEST TERMINAL BLOCK

NOTE:-

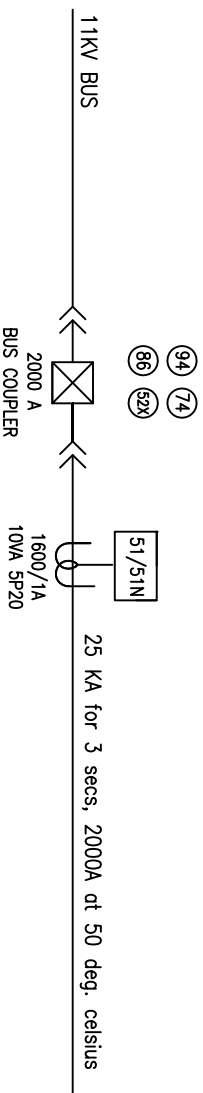
1. KWH METER NOT IN SUPPLIER'S SCOPE
2. REFER CLAUSE 16 OF SPECIFICATION FOR DETAILED FUNCTIONAL REQUIREMENTS OF PROTECTION RELAYS

DRAWN	RAJESH	TITLE:-	<b>BSES</b>
CHECKED	G.S	STANDARD SLD FOR 11KV INCOMER	
APPD.	D.S		
DATE	14.09.12		
SCALE	NTS		
			SPECIFICATION NO. SP-HTSWG-01-R1 SLD-SWG-11KV-01

# ANNEXURE-F2

## LEGEND

SYMBOL	DESCRIPTION	SYMBOL	DESCRIPTION
	11KV SF6/VACUUM CKT. BKR. DRAWOUT TYPE		ENERGY METER
	CURRENT TRANSFORMER		NEGATIVE PHASE SEQUENCE PROTECTION
	POTENTIAL TRANSFORMER		SYNC CHECK
	SURGE ARRESTOR		O/C & E/F RELAY
	FUSE		UNDER VOLTAGE RELAY
	BREAKER AUX CONTACT MULTIPLIER		DIFFERENTIAL RELAY
	TRIP CIRCUIT SUPERVISION RELAY		DISTANCE RELAY
	ANTI PUMPING RELAY		OVER VOLTAGE RELAY
	HIGH SPEED TRIP RELAY		REF RELAY
	VOLTMETER		DIRECTIONAL O/C & E/F RELAY
	AMMETER		TEST TERMINAL BLOCK



NOTE:-  
1. REFER CLAUSE 16 OF SPECIFICATION  
FOR DETAILED FUNCTIONAL REQUIREMENTS OF  
PROTECTION RELAYS

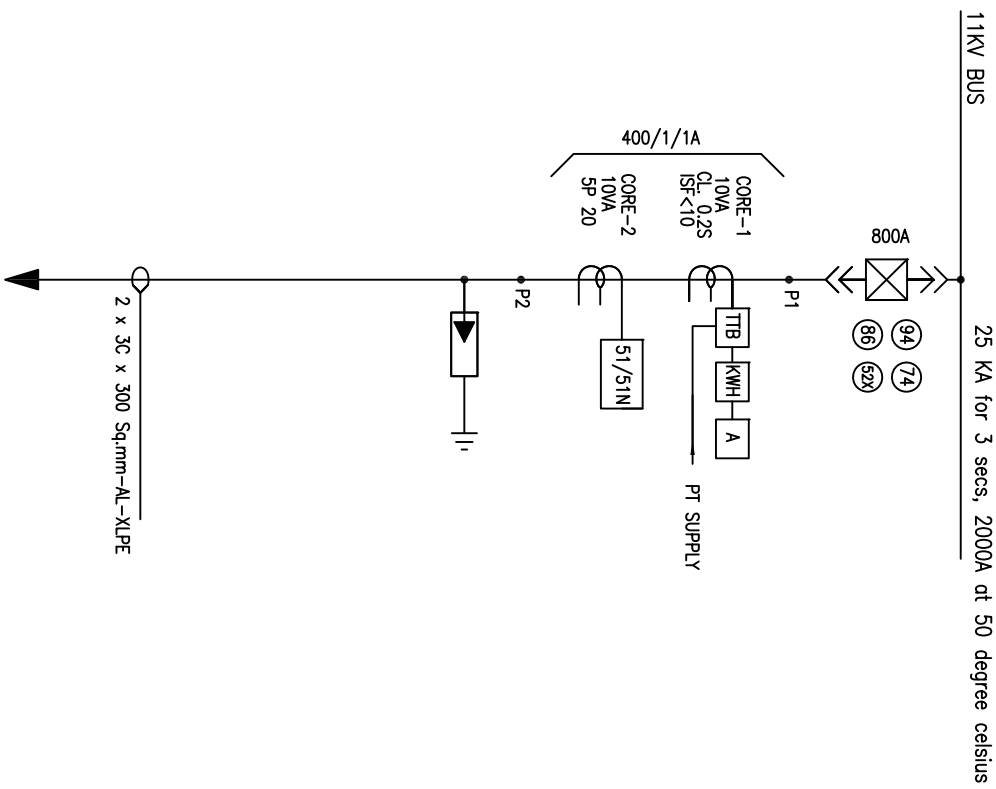
DRAWN	RAJESH G.S	TITLE:-	
CHECKED	D.S	STANDARD SLD FOR 11KV	
DATE	14.09.12	BUS SECTION	
SCALE	NTS		

SPECIFICATION NO. SP-HTSWG-01-R1  
SLD-SWG-11KV-02

# ANNEXURE-F3

## LEGEND

SYMBOL	DESCRIPTION	SYMBOL	DESCRIPTION
	11KV SF6/VACUUM CKT. BKR. DRAWOUT TYPE		ENERGY METER
	CURRENT TRANSFORMER		NEGATIVE PHASE SEQUENCE PROTECTION
	POTENTIAL TRANSFORMER		SYNC CHECK
	SURGE ARRESTOR		O/C & E/F RELAY
	FUSE		UNDER VOLTAGE RELAY
	BREAKER AUX CONTACT MULTIPLIER		DIFFERENTIAL RELAY
	TRIP CIRCUIT SUPERVISION RELAY		DISTANCE RELAY
	ANTI PUMPING RELAY		OVER VOLTAGE RELAY
	HIGH SPEED TRIP RELAY		REF RELAY
	VOLTMETER		DIRECTIONAL O/C & E/F RELAY
	AMMETER		TEST TERMINAL BLOCK



NOTE:-  
 1. KWH METER NOT IN SUPPLIER'S SCOPE  
 2. REFER CLAUSE 16 OF SPECIFICATION  
 FOR DETAILED FUNCTIONAL REQUIREMENTS OF  
 PROTECTION RELAYS

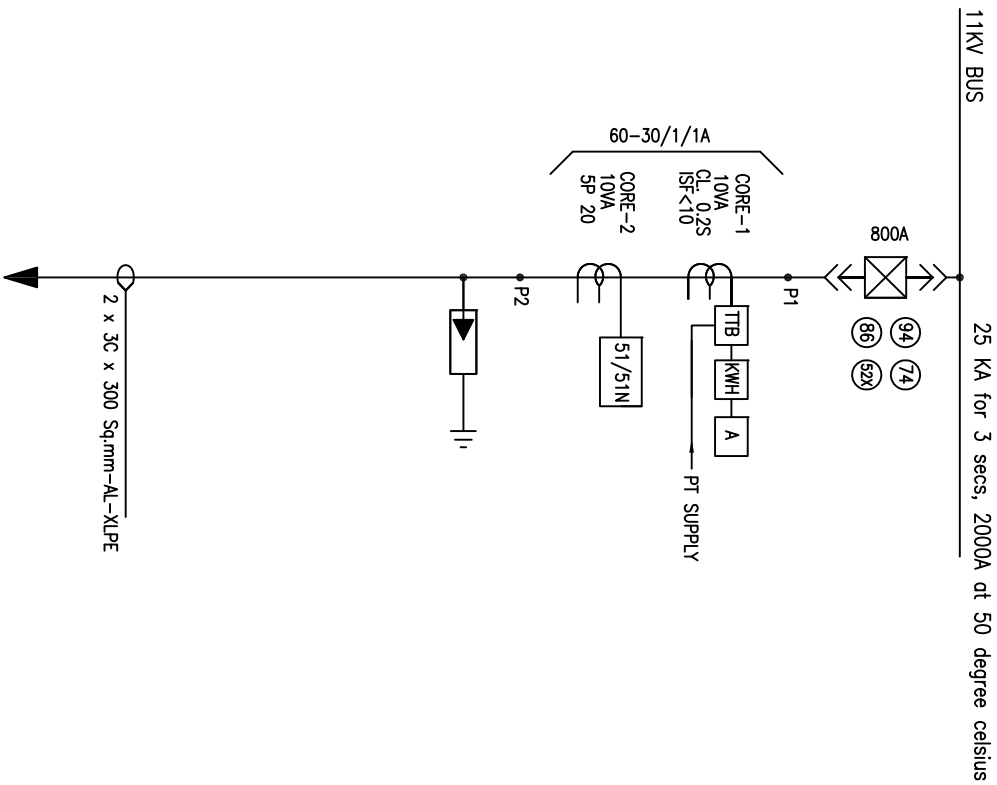
DRAWN	RAJESH	TITLE:-	<b>BSES</b>
CHECKED	G.S	STANDARD SLD FOR 11KV	
APPD.	D.S	OUTGOING FEEDER	
DATE	14.09.12	SPECIFICATION NO. SP-HTSWG-01-R1	
SCALE	NTS	SLD-SWG-11KV-03	

# ANNEXURE - F4

## LEGEND

SYMBOL	DESCRIPTION
	11KV SF6/VACUUM CKT. BKR. DRAWOUT TYPE
	CURRENT TRANSFORMER
	POTENTIAL TRANSFORMER
	SURGE ARRESTOR
	FUSE
	BREAKER AUX CONTACT MULTIPLIER
	TRIP CIRCUIT SUPERVISION RELAY
	ANTI PUMPING RELAY
	HIGH SPEED TRIP RELAY
	VOLTMETER
	AMMETER

SYMBOL	DESCRIPTION
	ENERGY METER
	NEGATIVE PHASE SEQUENCE PROTECTION
	SYNC CHECK
	O/C & E/F RELAY
	UNDER VOLTAGE RELAY
	DIFFERENTIAL RELAY
	DISTANCE RELAY
	OVER VOLTAGE RELAY
	REF RELAY
	DIRECTIONAL O/C & E/F RELAY
	TEST TERMINAL BLOCK

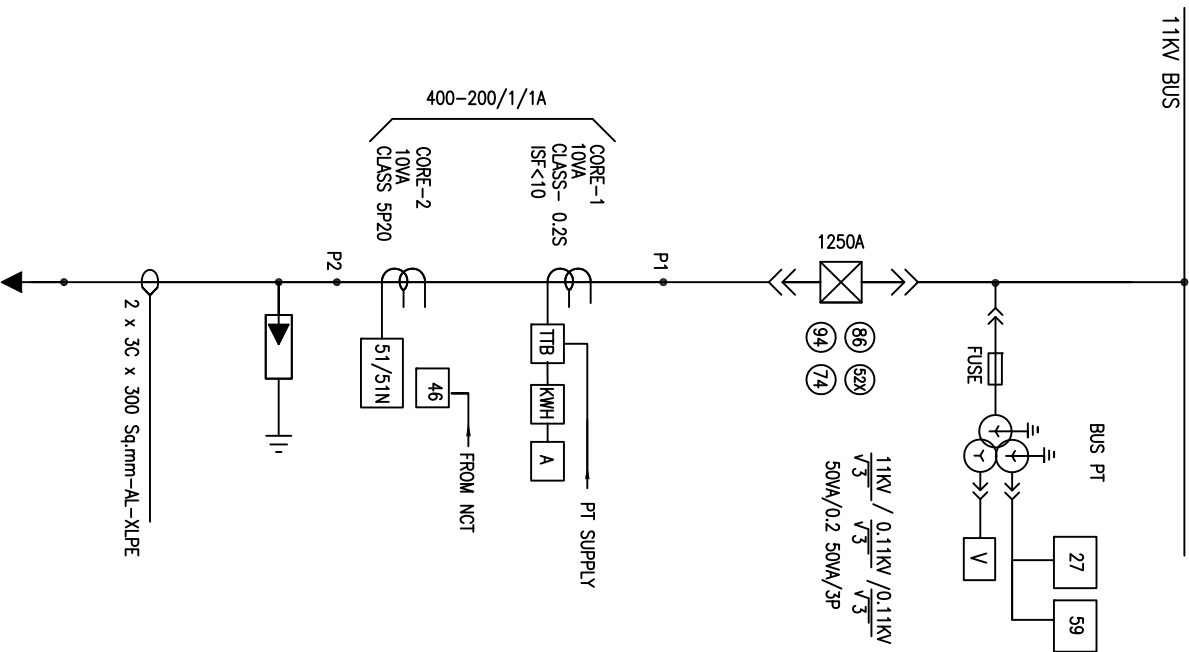


- NOTE:-
1. KWH METER NOT IN SUPPLIER'S SCOPE
  2. REFER CLAUSE 16 OF SPECIFICATION FOR DETAILED FUNCTIONAL REQUIREMENTS OF PROTECTION RELAYS

DRAWN		CHECKED		APPD.		DATE		SCALE		TITLE:-	
RAJESH	G.S	D.S	14.9.12	N/S	STANDARD SLD FOR 11KV STATION TRANSFORMER FEEDER						
										SPECIFICATION NO. SP-HTSWG-01-R1	
										SLD-SWG-11KV-04	

# ANNEXURE-F5

25 KA for 3 secs, 2000A at 50 degree celsius



## LEGEND

SYMBOL	DESCRIPTION
	11KV SF6/VACUUM O.K.T. BKR. DRAWOUT TYPE
	CURRENT TRANSFORMER
	POTENTIAL TRANSFORMER
	SURGE ARRESTOR
	FUSE
	BREAKER AUX CONTACT MULTIPLIER
	TRIP CIRCUIT SUPERVISION RELAY
	ANTI PUMPING RELAY
	HIGH SPEED TRIP RELAY
	VOLTMETER
	AMMETER

SYMBOL	DESCRIPTION
[KWH]	ENERGY METER
[46]	NEGATIVE PHASE SEQUENCE PROTECTION
[25]	SYNC CHECK
[51/51N]	O/C & E/F RELAY
[27]	UNDER VOLTAGE RELAY
[87]	DIFFERENTIAL RELAY
[21]	DISTANCE RELAY
[59]	OVER VOLTAGE RELAY
[64]	REF RELAY
[67/67N]	DIRECTIONAL O/C & E/F RELAY
[TB]	TEST TERMINAL BLOCK

### NOTE:-

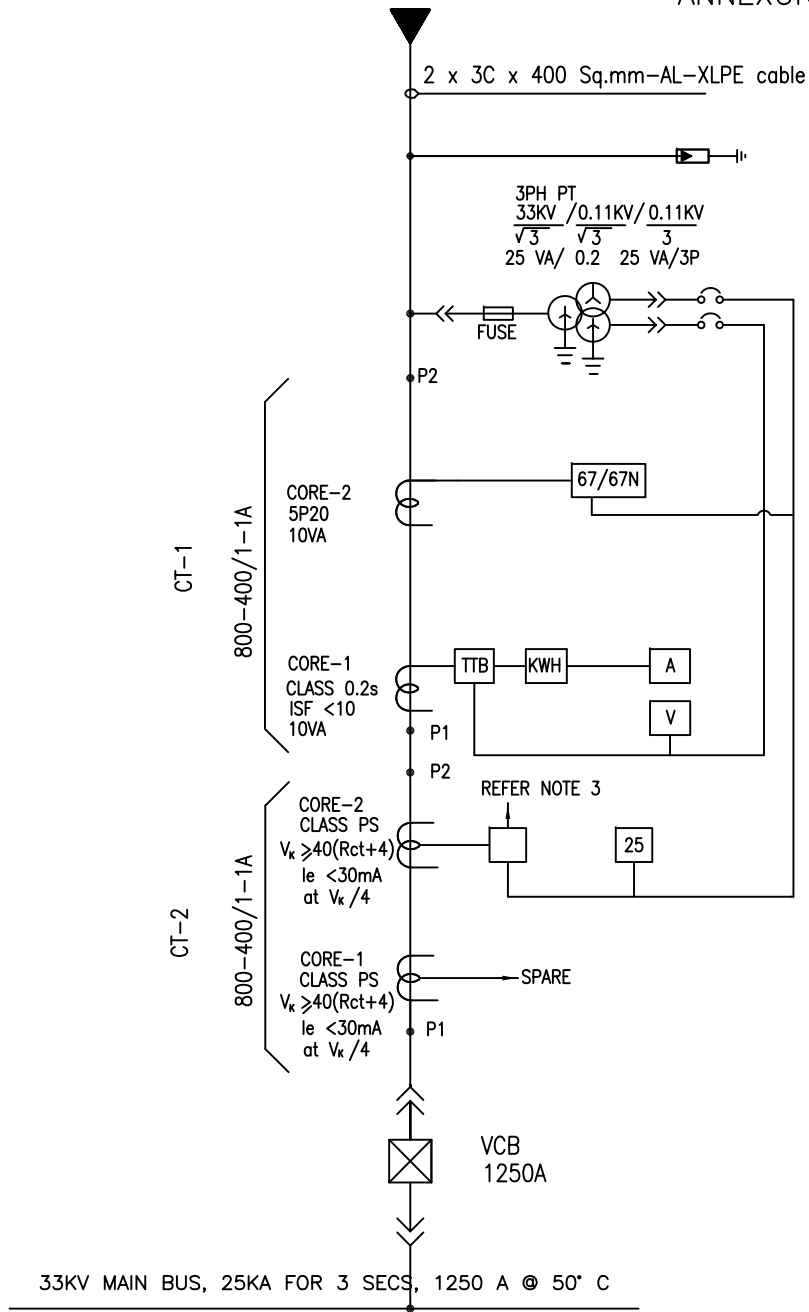
1. KWH METER NOT IN SUPPLIER'S SCOPE
2. REFER CLAUSE 16 OF SPECIFICATION FOR DETAILED FUNCTIONAL REQUIREMENTS OF PROTECTION RELAYS
3. ONE BPT TO BE CONSIDERED FOR EACH CAPACITOR PANEL

DRAWN	RAJESH	TITLE:-
CHECKED	G.S	STANDARD SLD FOR 11KV
APPD.	D.S	CAPACITOR FEEDER
DATE	14.09.12	
SCALE	NTS	

**BSES**

SPECIFICATION NO. SP-HTSWG-01-R1  
SLD-SWG-11KV-05

ANNEXURE-F6



LEGEND

SYMBOL	DESCRIPTION
	11KV SF6/VACUUM CKT. BKR. DRAWOUT TYPE
	CURRENT TRANSFORMER
	POTENTIAL TRANSFORMER
	SURGE ARRESTOR
	FUSE
	BREAKER AUX CONTACT MULTIPLIER
	TRIP CIRCUIT SUPERVISION RELAY
	ANTI PUMPING RELAY
	HIGH SPEED TRIP RELAY
	VOLTMETER
	AMMETER

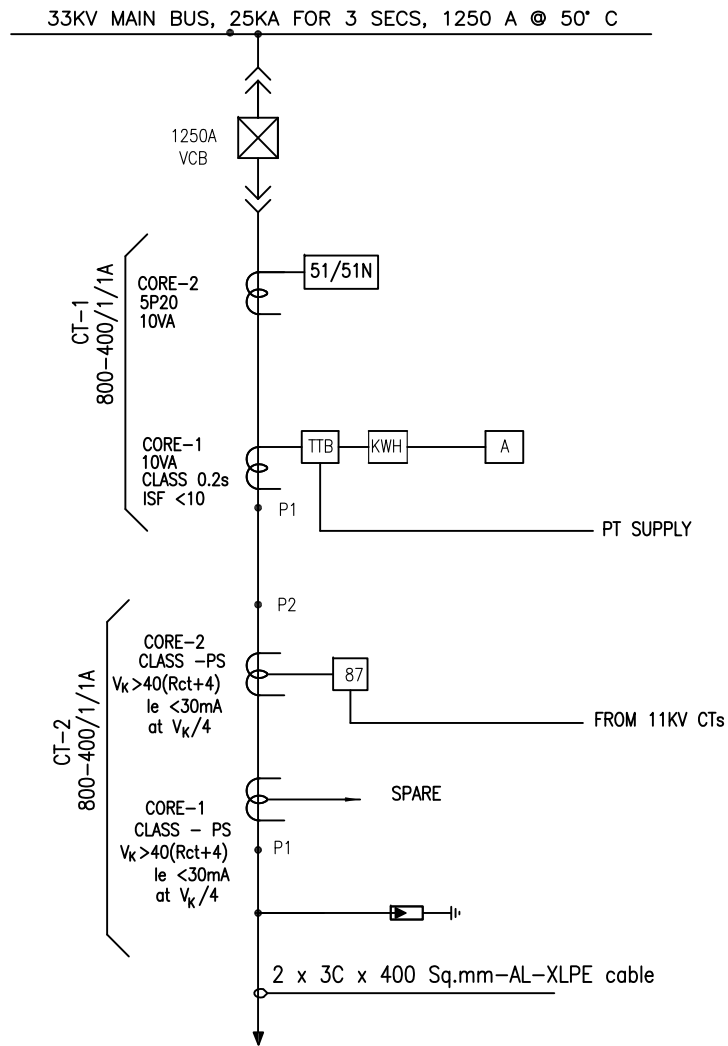
SYMBOL	DESCRIPTION
	ENERGY METER
	NEGATIVE PHASE SEQUENCE PROTECTION
	SYNC CHECK
	O/C & E/F RELAY
	UNDER VOLTAGE RELAY
	DIFFERENTIAL RELAY
	DISTANCE RELAY
	OVER VOLTAGE RELAY
	REF RELAY
	DIRECTIONAL O/C & E/F RELAY
	TEST TERMINAL BLOCK

- NOTE: 1. KWH METER NOT IN SUPPLIER'S SCOPE  
 2. REFER CLAUSE 16 OF SPECIFICATION FOR DETAILED FUNCTIONAL REQUIREMENTS OF PROTECTION RELAYS  
 3. LINE DIFFERENTIAL OR DISTANCE RELAY. REFER CLAUSE 16.7.1 OF SPECIFICATION

33KV MAIN BUS, 25KA FOR 3 SECS, 1250 A @ 50° C

DRAWN	RAJESH	TITLE	
CHECKED	GAURAV	TYPICAL SLD FOR	
APPD.	D.SHARMA	33KV INCOMER	
DATE	14.09.2012	SPECIFICATION NO. SP-HTSWG-01-R1	
SCALE	NTS	SLD-SWG-33KV-01	

ANNEXURE-F7



LEGEND

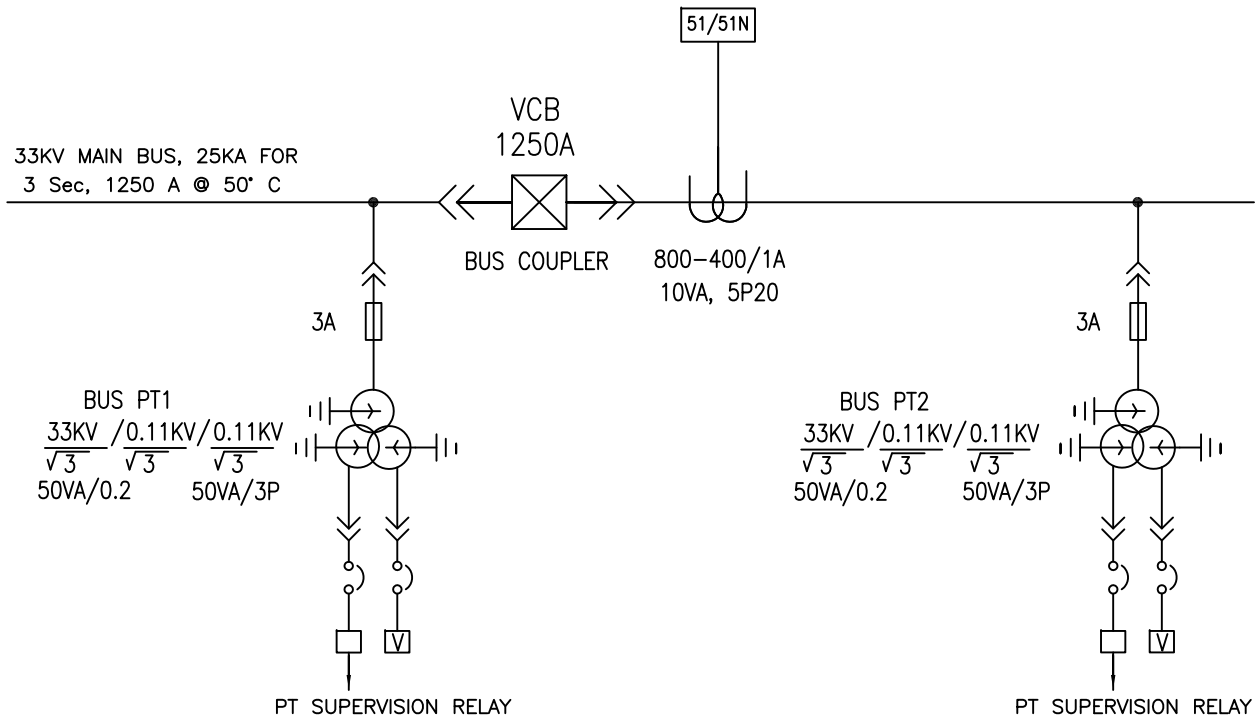
SYMBOL	DESCRIPTION
	11KV SF6/VACUUM CKT. BKR. DRAWOUT TYPE
	CURRENT TRANSFORMER
	POTENTIAL TRANSFORMER
	SURGE ARRESTOR
	FUSE
	BREAKER AUX CONTACT MULTIPLIER
	TRIP CIRCUIT SUPERVISION RELAY
	ANTI PUMPING RELAY
	HIGH SPEED TRIP RELAY
	VOLTMETER
	AMMETER

SYMBOL	DESCRIPTION
	ENERGY METER
	NEGATIVE PHASE SEQUENCE PROTECTION
	SYNC CHECK
	O/C & E/F RELAY
	UNDER VOLTAGE RELAY
	DIFFERENTIAL RELAY
	DISTANCE RELAY
	OVER VOLTAGE RELAY
	REF RELAY
	DIRECTIONAL O/C & E/F RELAY
	TEST TERMINAL BLOCK

- NOTE: 1. KWH METER NOT IN SUPPLIER'S SCOPE  
 2. REFER CLAUSE 16 OF SPECIFICATION FOR DETAILED FUNCTIONAL REQUIREMENTS OF PROTECTION RELAYS

DRAWN	RAJESH	TITLE	<b>BSES</b>
CHECKED	GAURAV		
APPD.	D.SHARMA	TYPICAL SLD FOR 33/11KV TRANSFORMER FEEDER	SPECIFICATION NO. SP-HTSWG-01-R1
DATE	14.09.2012		SLD-SWG-33KV-02
SCALE	NTS		

# ANNEXURE-F8



## LEGEND

SYMBOL	DESCRIPTION
	11KV SF6/VACUUM CKT. BKR. DRAWOUT TYPE
	CURRENT TRANSFORMER
	POTENTIAL TRANSFORMER
	SURGE ARRESTOR
	FUSE
	BREAKER AUX CONTACT MULTIPLIER
	TRIP CIRCUIT SUPERVISION RELAY
	ANTI PUMPING RELAY
	HIGH SPEED TRIP RELAY
	VOLTMETER
	AMMETER

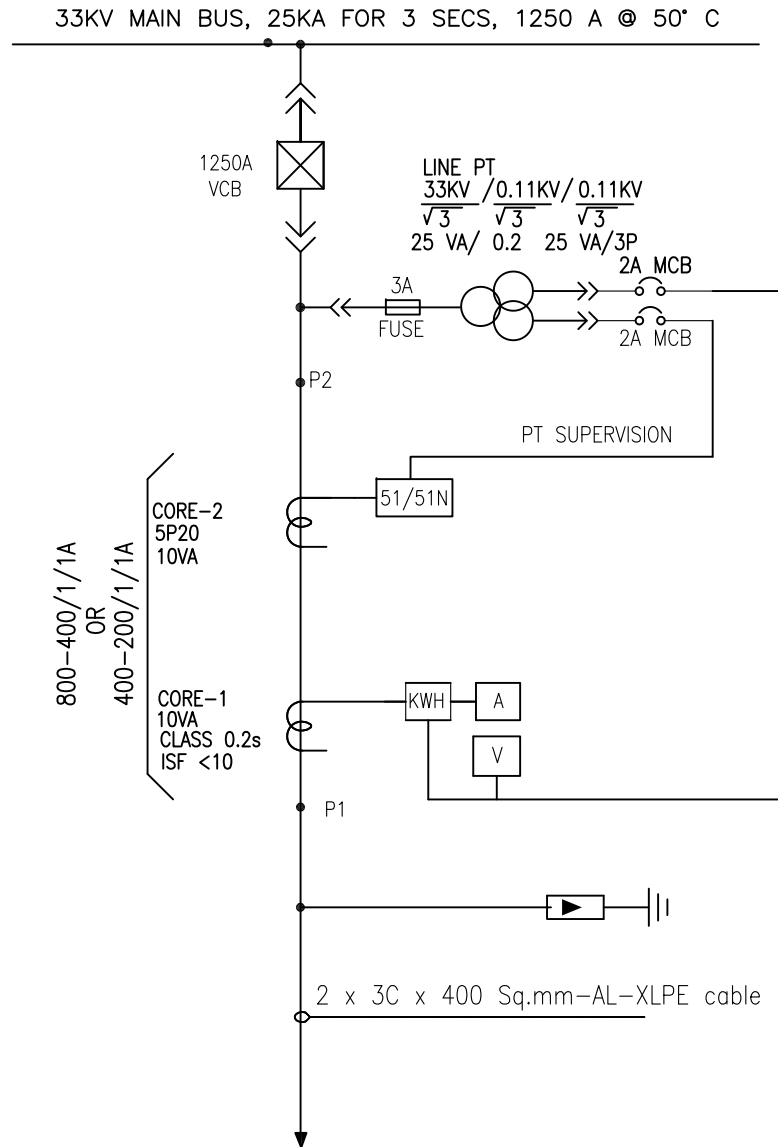
SYMBOL	DESCRIPTION
	ENERGY METER
	NEGATIVE PHASE SEQUENCE PROTECTION
	SYNC CHECK
	O/C & E/F RELAY
	UNDER VOLTAGE RELAY
	DIFFERENTIAL RELAY
	DISTANCE RELAY
	OVER VOLTAGE RELAY
	REF RELAY
	DIRECTIONAL O/C & E/F RELAY
	TEST TERMINAL BLOCK

NOTE:-  
 1. REFER CLAUSE 16 OF SPECIFICATION FOR DETAILED FUNCTIONAL REQUIREMENTS OF PROTECTION RELAYS

DRAWN	RAJESH	TITLE TYPICAL SLD FOR 33KV BUS COUPLER CUM BUS PT	
CHECKED	GAURAV		
APPD.	D.SHARMA		
DATE	14.09.2012		
SCALE	NTS		
			SPECIFICATION NO. SP-HTSWG-01-R1
			SLD-SWG-33KV-03



ANNEXURE-F9



LEGEND

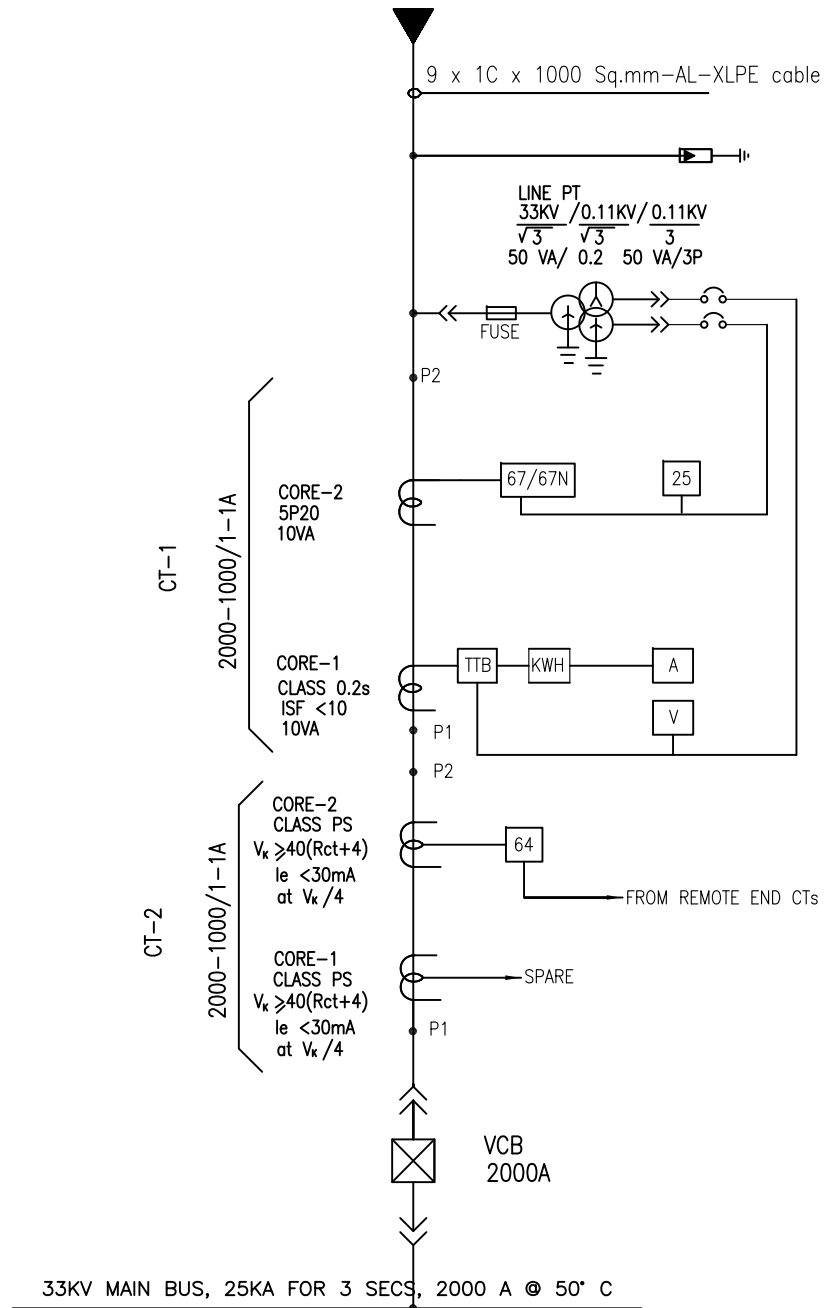
SYMBOL	DESCRIPTION
	11KV SF6/VACUUM CKT. BKR. DRAWOUT TYPE
	CURRENT TRANSFORMER
	POTENTIAL TRANSFORMER
	SURGE ARRESTOR
	FUSE
	BREAKER AUX CONTACT MULTIPLIER
	TRIP CIRCUIT SUPERVISION RELAY
	ANTI PUMPING RELAY
	HIGH SPEED TRIP RELAY
	VOLTMETER
	AMMETER

SYMBOL	DESCRIPTION
	ENERGY METER
	NEGATIVE PHASE SEQUENCE PROTECTION
	SYNC CHECK
	O/C & E/F RELAY
	UNDER VOLTAGE RELAY
	DIFFERENTIAL RELAY
	DISTANCE RELAY
	OVER VOLTAGE RELAY
	REF RELAY
	DIRECTIONAL O/C & E/F RELAY
	TEST TERMINAL BLOCK

- NOTE: 1. KWH METER NOT IN SUPPLIER'S SCOPE  
 2. REFER CLAUSE 16 OF SPECIFICATION FOR DETAILED FUNCTIONAL REQUIREMENTS OF PROTECTION RELAYS  
 3. TTB NOT REQUIRED IN THIS PANEL

DRAWN	RAJESH	TITLE	<b>BSES</b>
CHECKED	GAURAV		
APPD.	D. SHARMA	TYPICAL SLD FOR 33 KV OUTGOING FEEDER ( FOR INSTALLATION AT KCC CONSUMERS PREMISES)	SPECIFICATION NO. SP-HTSWG-01-R1
DATE	14.09.2012		
SCALE	NTS		

ANNEXURE-F10



LEGEND

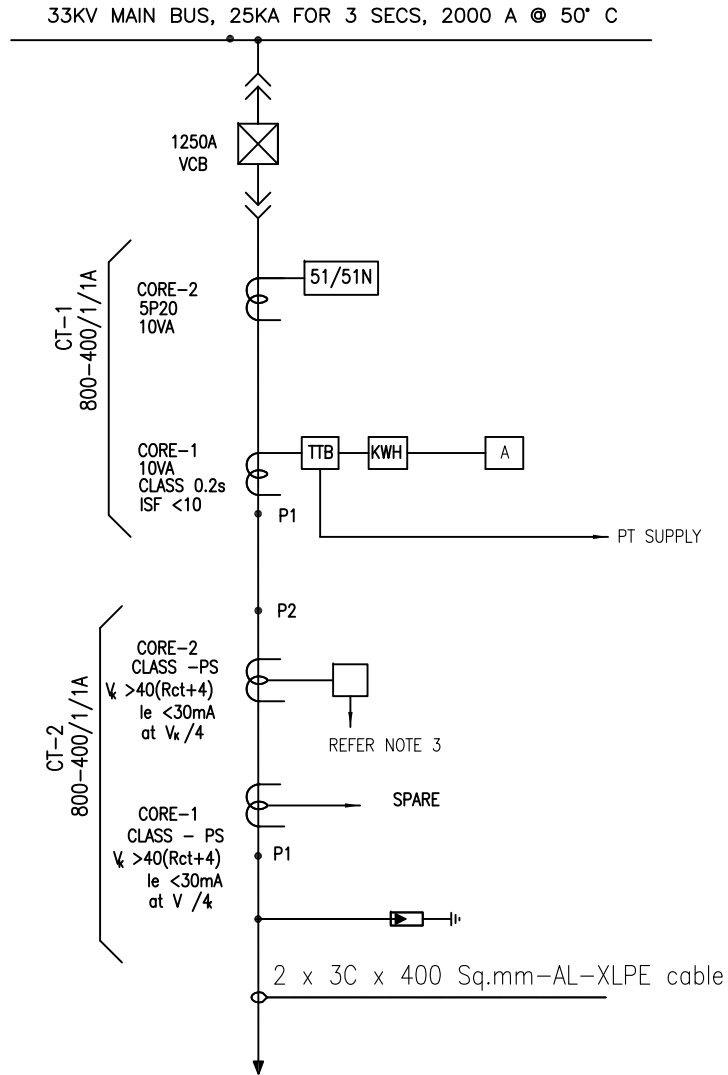
SYMBOL	DESCRIPTION
	11KV SF6/VACUUM CKT. BKR. DRAWOUT TYPE
	CURRENT TRANSFORMER
	POTENTIAL TRANSFORMER
	SURGE ARRESTOR
	FUSE
	BREAKER AUX CONTACT MULTIPLIER
	TRIP CIRCUIT SUPERVISION RELAY
	ANTI PUMPING RELAY
	HIGH SPEED TRIP RELAY
	VOLTMETER
	AMMETER

SYMBOL	DESCRIPTION
	ENERGY METER
	NEGATIVE PHASE SEQUENCE PROTECTION
	SYNC CHECK
	O/C & E/F RELAY
	UNDER VOLTAGE RELAY
	DIFFERENTIAL RELAY
	DISTANCE RELAY
	OVER VOLTAGE RELAY
	REF RELAY
	DIRECTIONAL O/C & E/F RELAY
	TEST TERMINAL BLOCK

NOTE: 1. KWH METER NOT IN SUPPLIER'S SCOPE  
 2. REFER CLAUSE 16 OF SPECIFICATION FOR DETAILED FUNCTIONAL REQUIREMENTS OF PROTECTION RELAYS

DRAWN	RAJESH	TITLE	
CHECKED	GAURAV		
APPD.	D.SHARMA	TYPICAL SLD FOR 33KV INCOMER FROM 66/33KV AUTO TRANSFORMER	
DATE	14.09.2012		
SCALE	NTS		
SPECIFICATION NO. SP-HTSWG-01-R1			
SLD-SWG-33KV-05			

ANNEXURE-F11



LEGEND

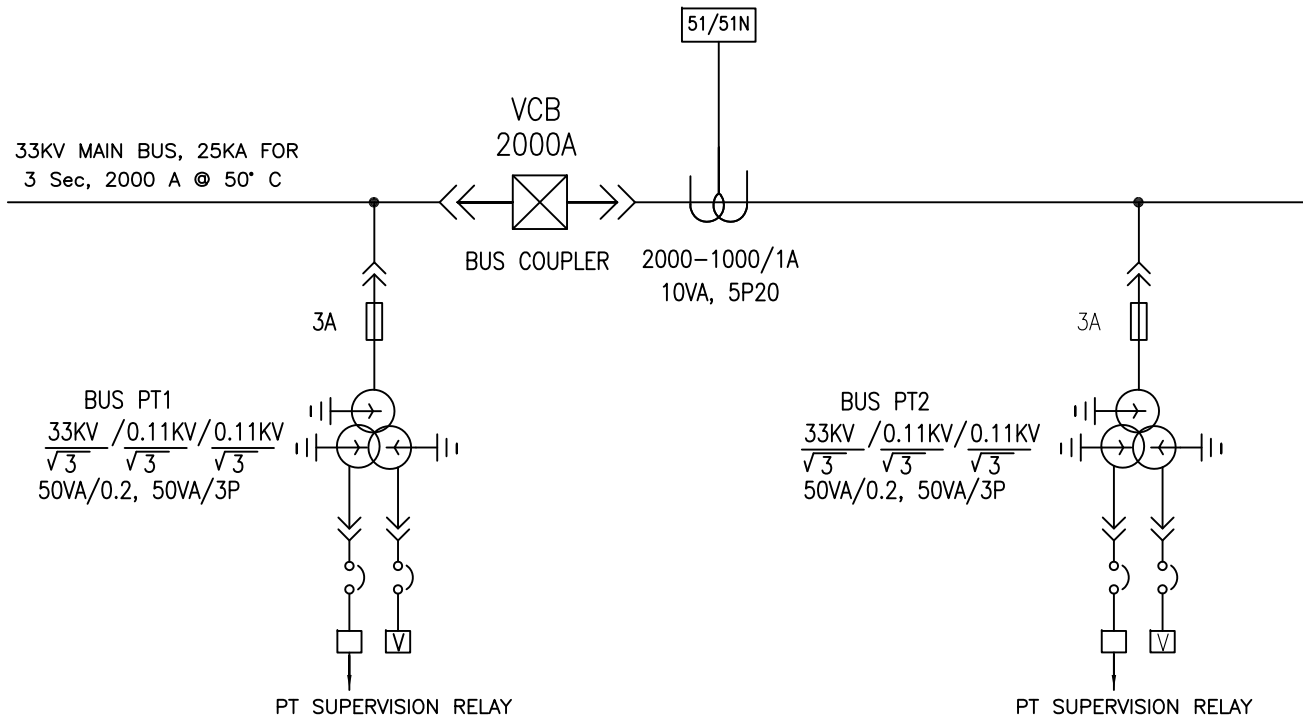
SYMBOL	DESCRIPTION
	11KV SF6/VACUUM CKT. BKR. DRAWOUT TYPE
	CURRENT TRANSFORMER
	POTENTIAL TRANSFORMER
	SURGE ARRESTOR
	FUSE
	BREAKER AUX CONTACT MULTIPLIER
	TRIP CIRCUIT SUPERVISION RELAY
	ANTI PUMPING RELAY
	HIGH SPEED TRIP RELAY
	VOLTMETER
	AMMETER

SYMBOL	DESCRIPTION
	ENERGY METER
	NEGATIVE PHASE SEQUENCE PROTECTION
	SYNC CHECK
	O/C & E/F RELAY
	UNDER VOLTAGE RELAY
	DIFFERENTIAL RELAY
	DISTANCE RELAY
	OVER VOLTAGE RELAY
	REF RELAY
	DIRECTIONAL O/C & E/F RELAY
	TEST TERMINAL BLOCK

- NOTE: 1. KWH METER NOT IN SUPPLIER'S SCOPE  
 2. REFER CLAUSE 16 OF SPECIFICATION FOR DETAILED FUNCTIONAL REQUIREMENTS OF PROTECTION RELAYS  
 3. LINE DIFFERENTIAL OR DISTANCE RELAY. REFER CLAUSE 16.12.1 OF SPECIFICATION

DRAWN	RAJESH	TITLE	<b>BSES</b>
CHECKED	GAURAV	TYPICAL SLD FOR 33KV	
APPD.	D.SHARMA	OUTGOING FROM 66/33KV	
DATE	14.09.2012	AUTO TRANSFORMER	
SCALE	NTS	SPECIFICATION NO. SP-HTSWG-01-R1	
			SLD-SWG-33KV-06

ANNEXURE-F12



LEGEND

SYMBOL	DESCRIPTION
	11KV SF6/VACUUM CKT. BKR. DRAWOUT TYPE
	CURRENT TRANSFORMER
	POTENTIAL TRANSFORMER
	SURGE ARRESTOR
	FUSE
	BREAKER AUX CONTACT MULTIPLIER
	TRIP CIRCUIT SUPERVISION RELAY
	ANTI PUMPING RELAY
	HIGH SPEED TRIP RELAY
	VOLTMETER
	AMMETER

SYMBOL	DESCRIPTION
	ENERGY METER
	NEGATIVE PHASE SEQUENCE PROTECTION
	SYNC CHECK
	O/C & E/F RELAY
	UNDER VOLTAGE RELAY
	DIFFERENTIAL RELAY
	DISTANCE RELAY
	OVER VOLTAGE RELAY
	REF RELAY
	DIRECTIONAL O/C & E/F RELAY
	TEST TERMINAL BLOCK

NOTE:-

- REFER CLAUSE 16 OF SPECIFICATION FOR DETAILED FUNCTIONAL REQUIREMENTS OF PROTECTION RELAYS

DRAWN	RAJESH	TITLE	<b>BSES</b>
CHECKED	GAURAV	TYPICAL SLD FOR	
APPD.	D.SHARMA	BUS COUPLER CUM BUS PT	
DATE	14.09.2012	PANEL FOR 33KV SWITCH	
SCALE	NTS	BOARD OF 66/33KV AUTO TRANSFORMER	
			SPECIFICATION NO. SP-HTSWG-01-R1
			SLD-SWG-33KV-07